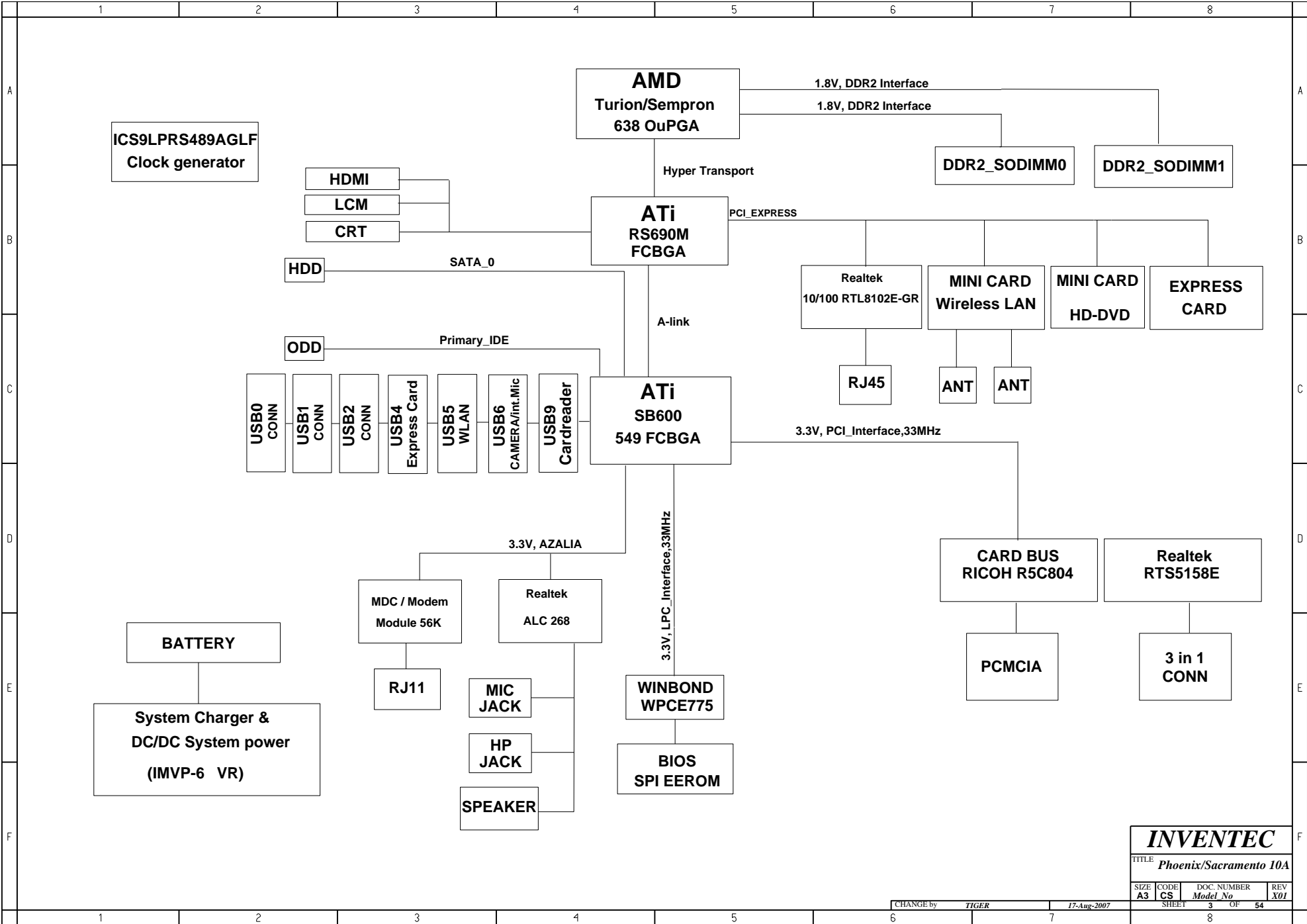


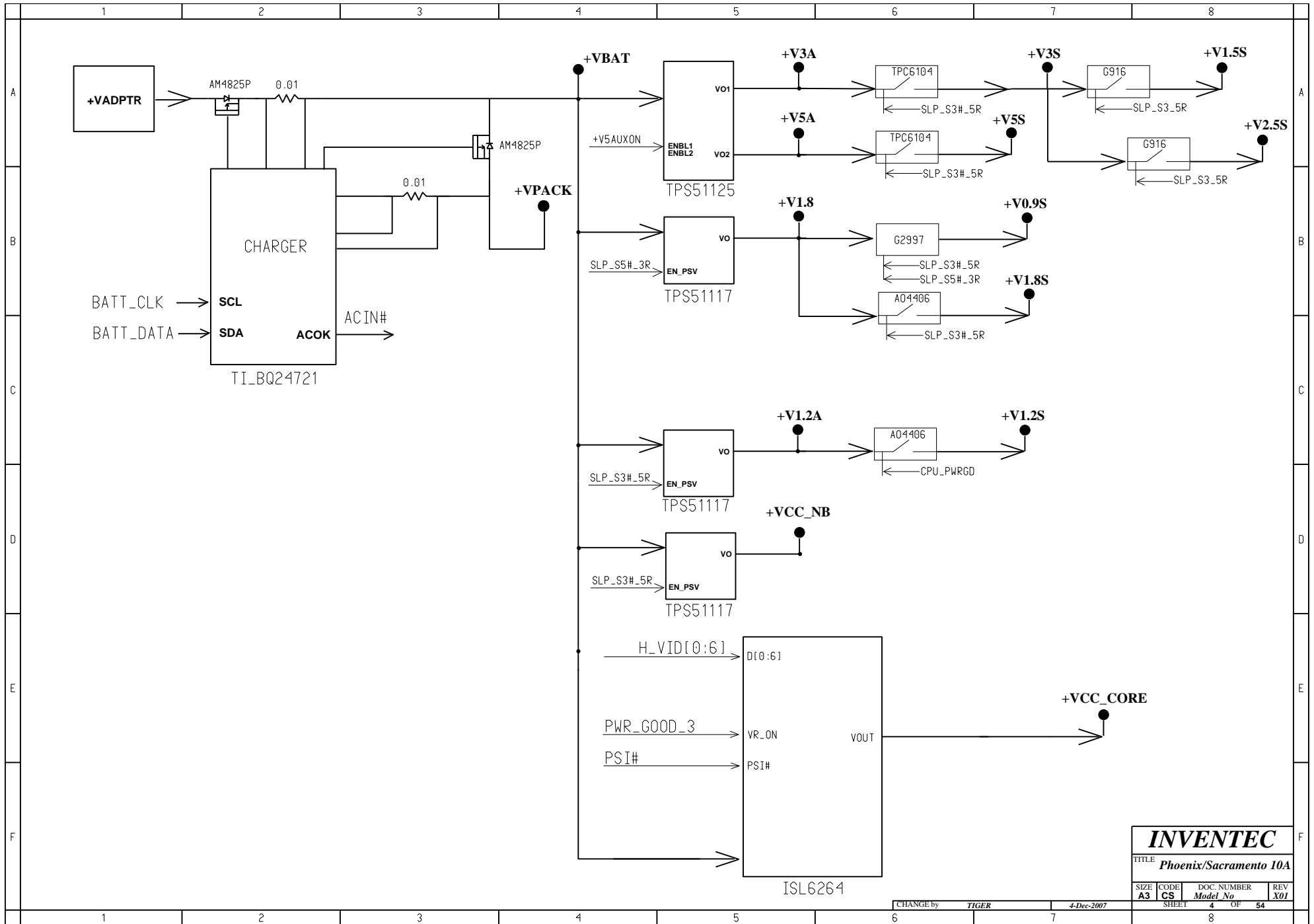
TABLE OF CONTENTS

PAGE	PAGE	PAGE
1.COVER PAGE	29.S/B 1	49.LED(M/B) & HOTKEY/B CONN
2.INDEX	30.S/B 2	50.TOUCH PAD BOARD
3.BLOCK DIAGRAM	31.S/B 3	51.KILL SWITCH& LID SWITCH
4.POWER SEQUENCE BLOCK	32.S/B 4	52.DRILL HOLE
5-12.SYSTEM POWER	33.CARDBUS CONTROLLER	53.EMI
13.CLOCK GENERATOR	34.5 IN 1 CARD SLOT	
14.CPU 1	35.PCMCIA CONN	
15.CPU 2	36.EXPRESS CARD CONN	
16.CPU 3	37.LAN CONTROLLER	
17.CPU 4	38.RJ45 & TRANSFORMER	
18.FAN & THERMAL CONTROLLER	39.WLAN & HD_DVD	
19.N/B 1	40.SATA HDD1 CONN	
20.N/B 2	41.CAMERA CONN	
21.N/B 3	42.ODD CONN	
22.N/B 4	43.USB CONN	
23.DDR2 DIMM0	44.KBC	
24.DDR2 DIMM1	45.K/B & TP/B CONN	
25.DDR DAMPING	46.AZALIA CODEC	
26.CRT CONN	47.AUDIO AMP & MIC & HP	
27.HDMI CONN	48.MDC 1.5 CONN	
28.LCM CONN		

INVENTEC			
TITLE <i>Phoenix/Sacramento 10A</i>			
SIZE A3	CODE CS	DOC. NUMBER <i>Model No</i>	REV X01
CHANGE by <i>TIGER</i>		17-Aug-2007	
SHEET		2	OF 54

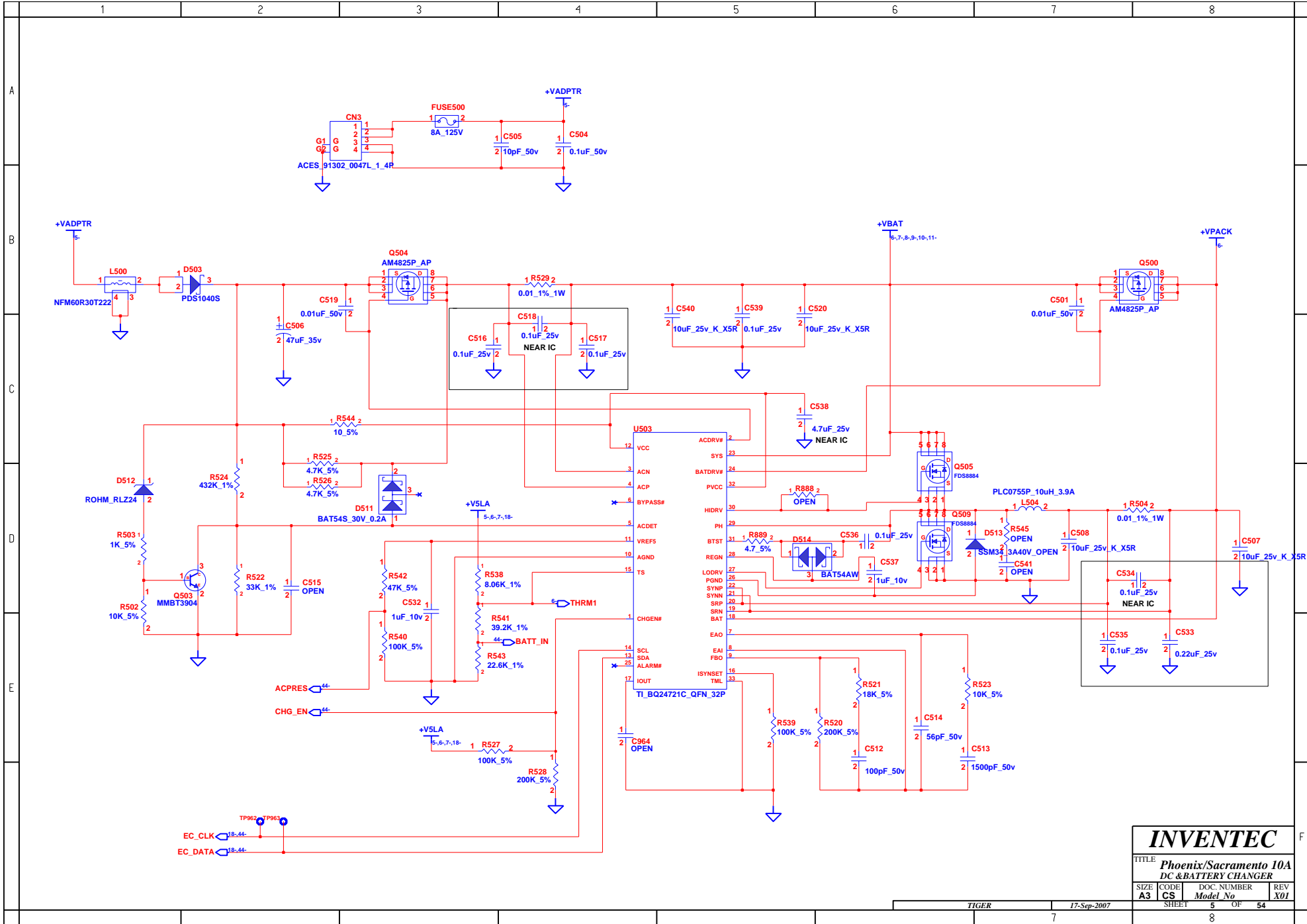


INVENTEC			
TITLE <i>Phoenix/Sacramento 10A</i>			
SIZE	CODE	DOC. NUMBER	REV
A3	CS	Model No	X01
CHANGE by <i>TIGER</i>			17-Aug-2007
SHEET 3			OF 54



INVENTEC			
TITLE Phoenix/Sacramento 10A			
SIZE	CODE	DOC. NUMBER	REV
A3	CS	Model No	X01
SHEET 4		OF 54	

CHANGE by TIGER 4-Dec-2007

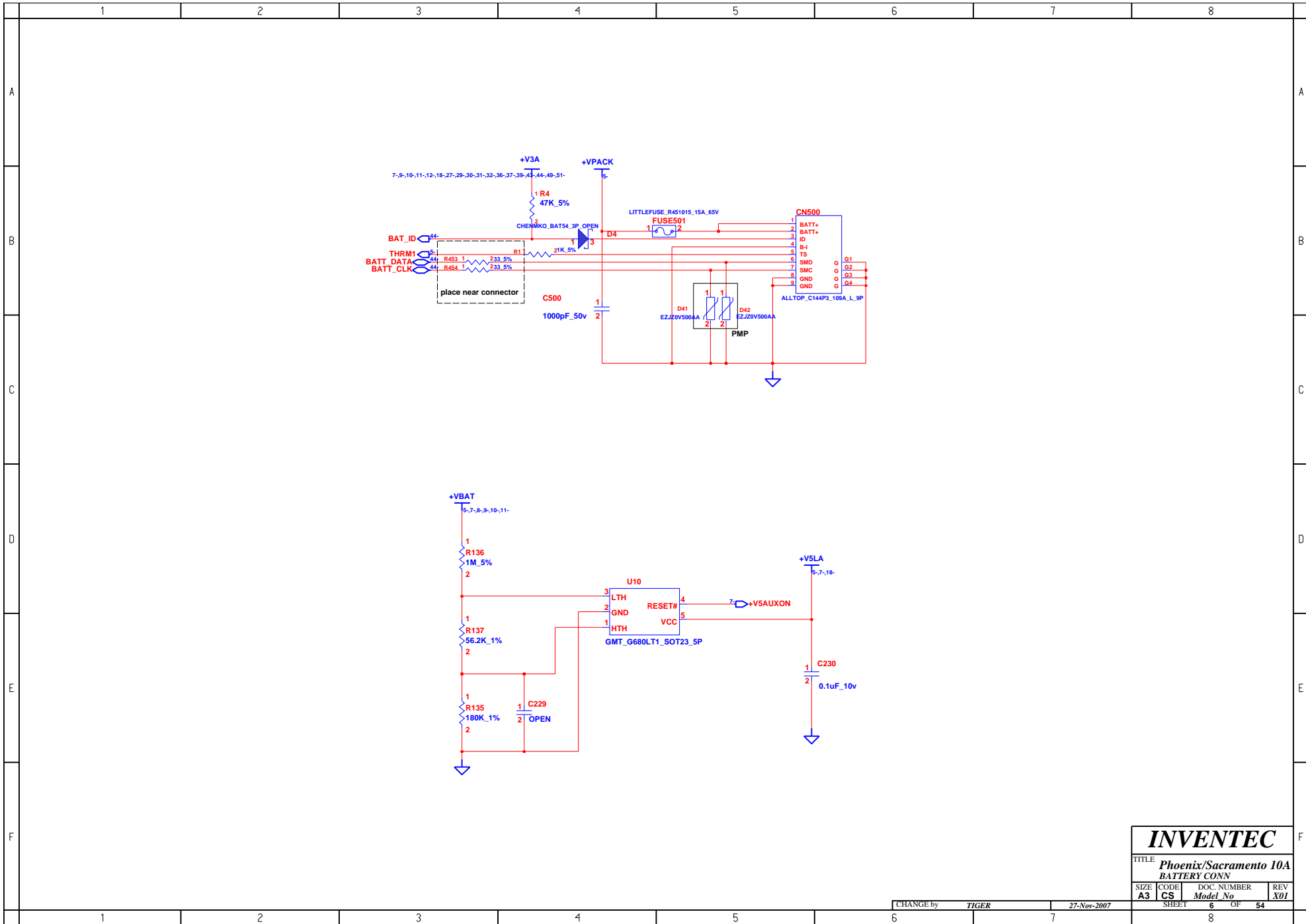


INVENTEC

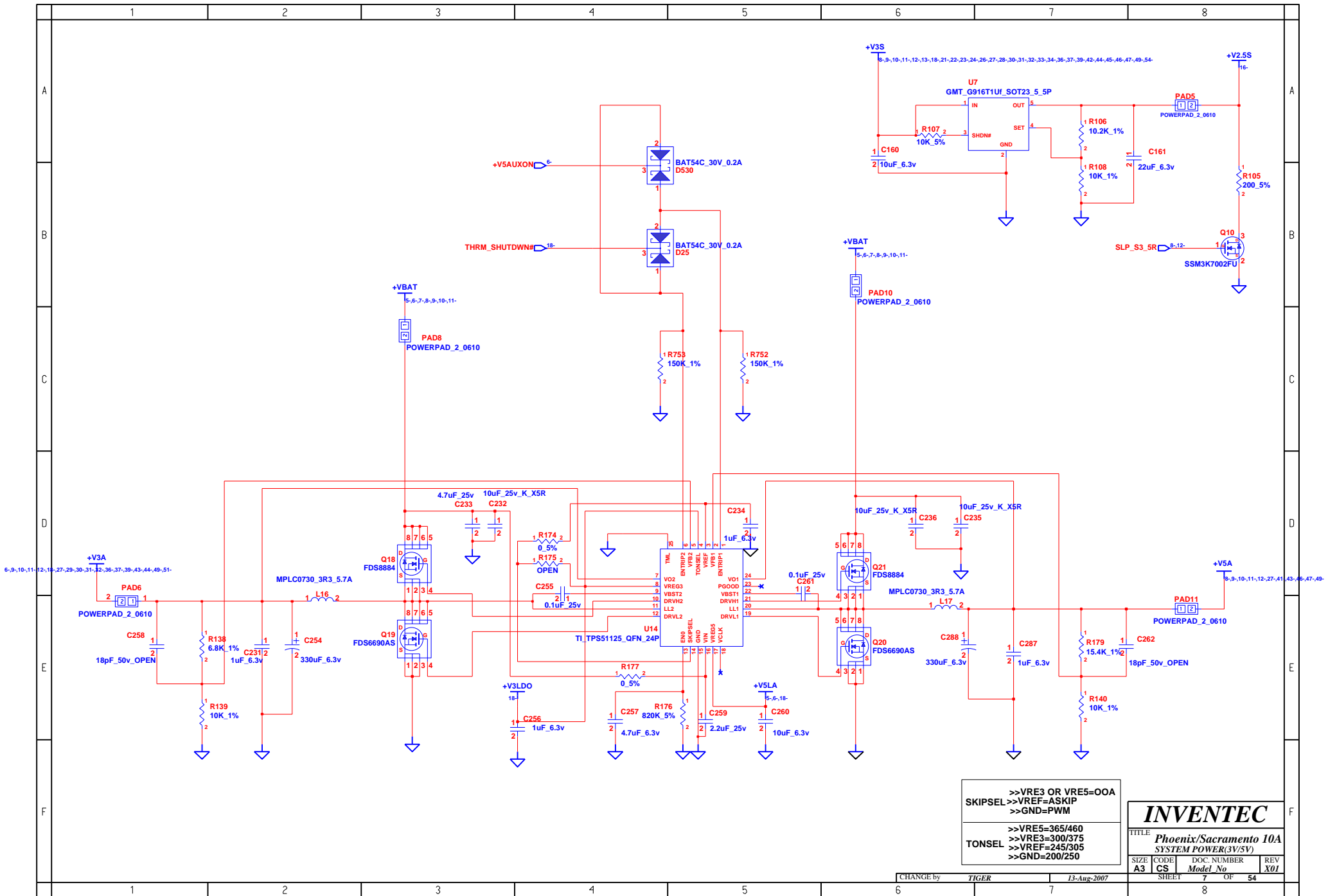
TITLE: **Phoenix/Sacramento 10A DC & BATTERY CHANGER**

SIZE	CODE	DOC. NUMBER	REV
A3	CS	Model No	X01

SHEET 5 OF 54



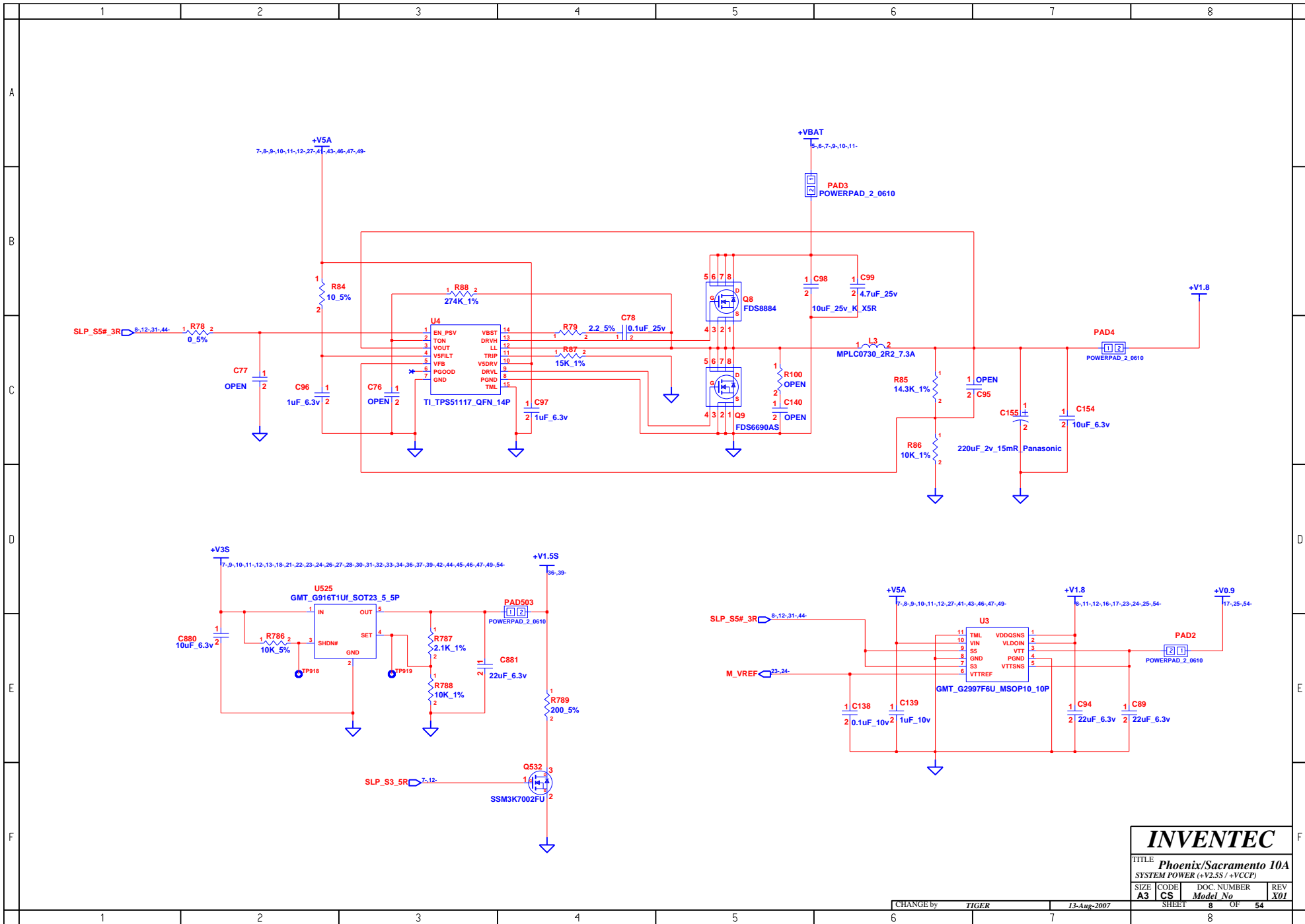
INVENTEC			
TITLE Phoenix/Sacramento 10A BATTERY CONN			
SIZE A3	CODE CS	DOC. NUMBER <i>Model No</i>	REV X01
CHANGE by TIGER		27-Nov-2007	
SHEET 6		OF 54	



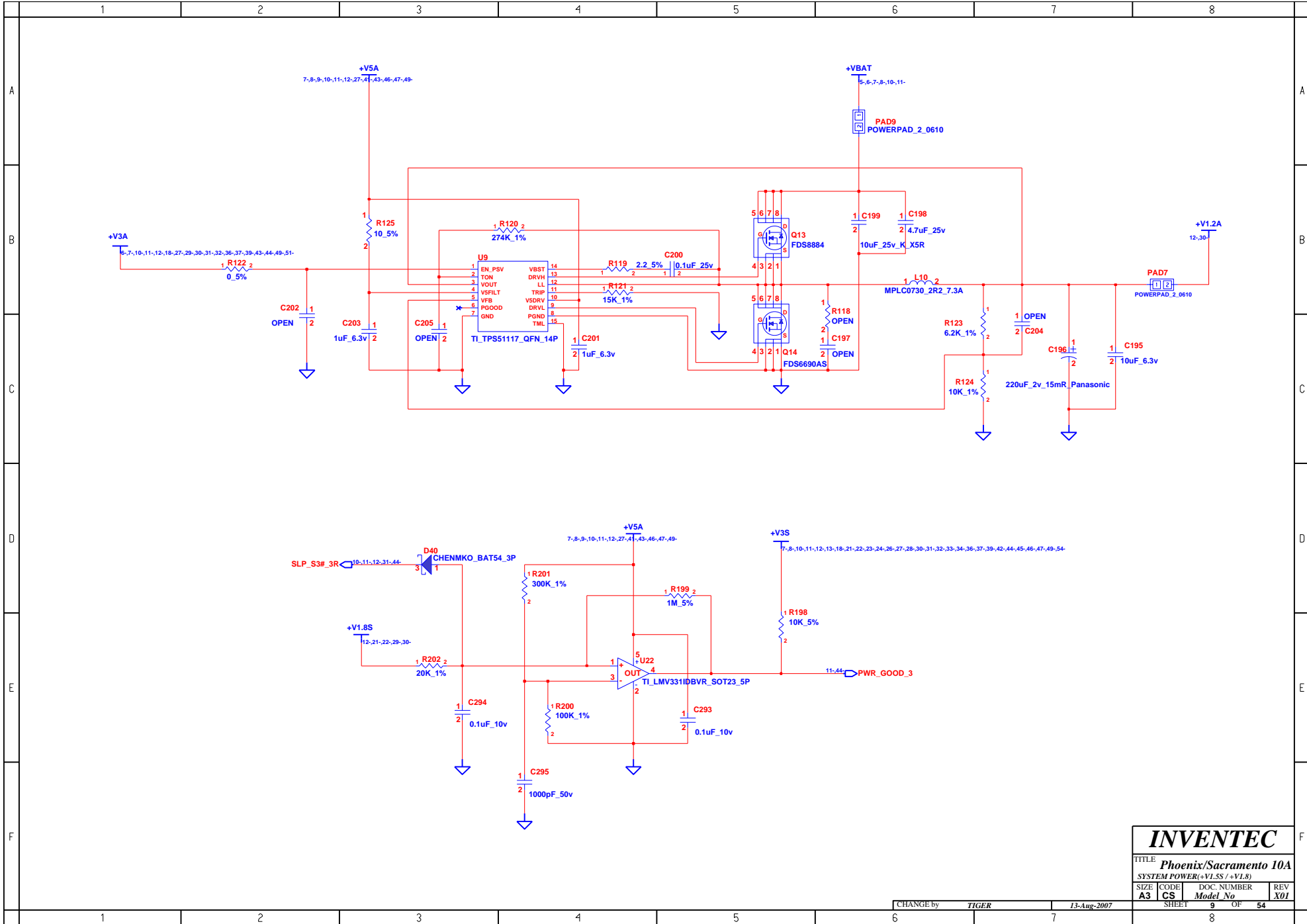
>>VRE3 OR VRE5=00A
 SKIPSEL>>VREF=ASKIP
 >>GND=PWM

 >>VRE5=365/460
 >>VRE3=300/375
 >>VREF=245/305
 >>GND=200/250

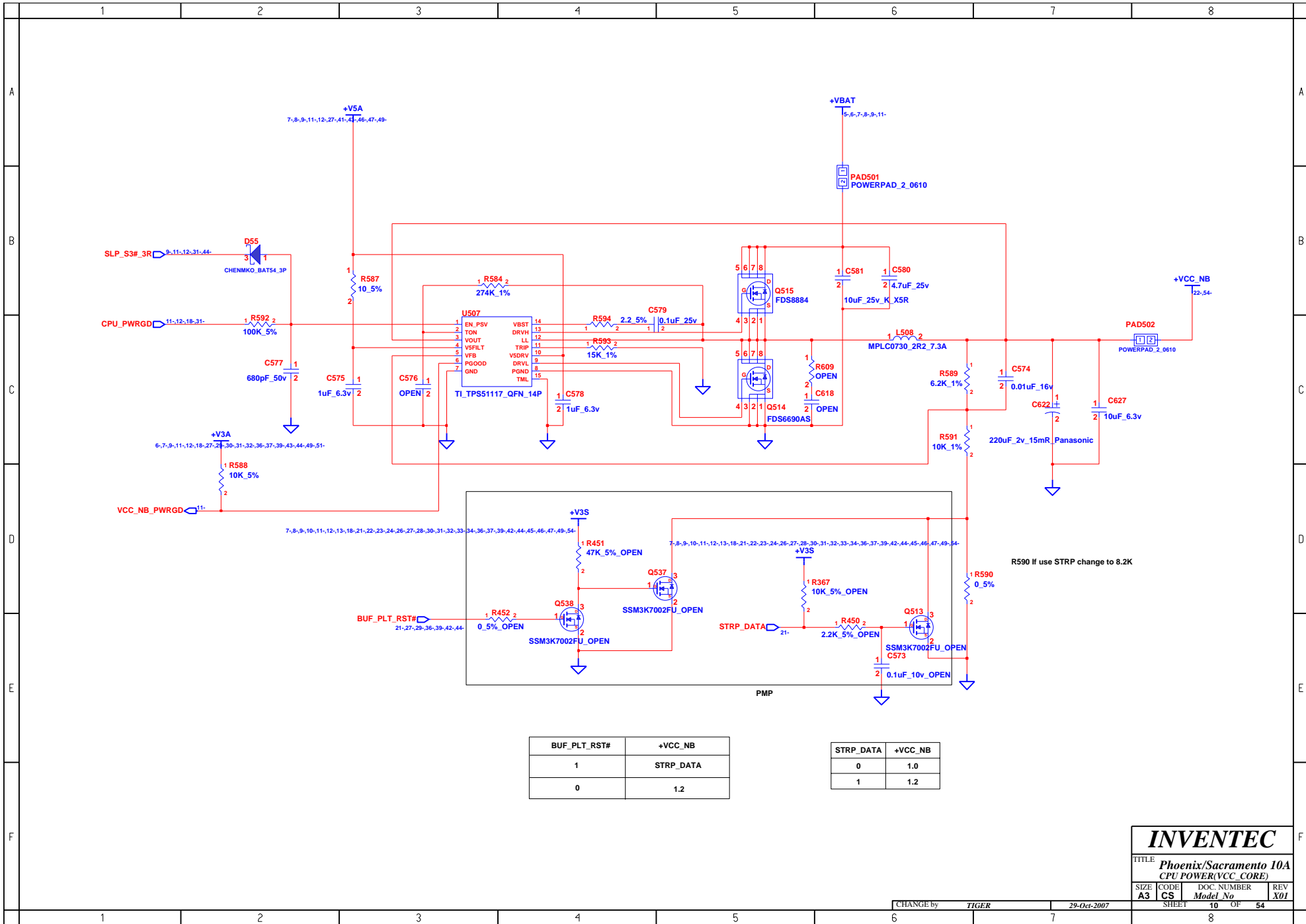
INVENTEC			
TITLE Phoenix/Sacramento 10A SYSTEM POWER(3V/5V)			
SIZE A3	CODE CS	DOC. NUMBER Model_No	REV X01



INVENTEC			
TITLE Phoenix/Sacramento 10A			
SYSTEM POWER (+V2.5S/ +VCCP)			
SIZE	CODE	DOC. NUMBER	REV
A3	CS	Model No	X01



INVENTEC			
TITLE Phoenix/Sacramento 10A			
SYSTEM POWER(+V1.5S / +V1.8)			
SIZE	CODE	DOC. NUMBER	REV
A3	CS	Model No	X01
CHANGE by		TIGER	13-Aug-2007
SHEET		9	OF 54

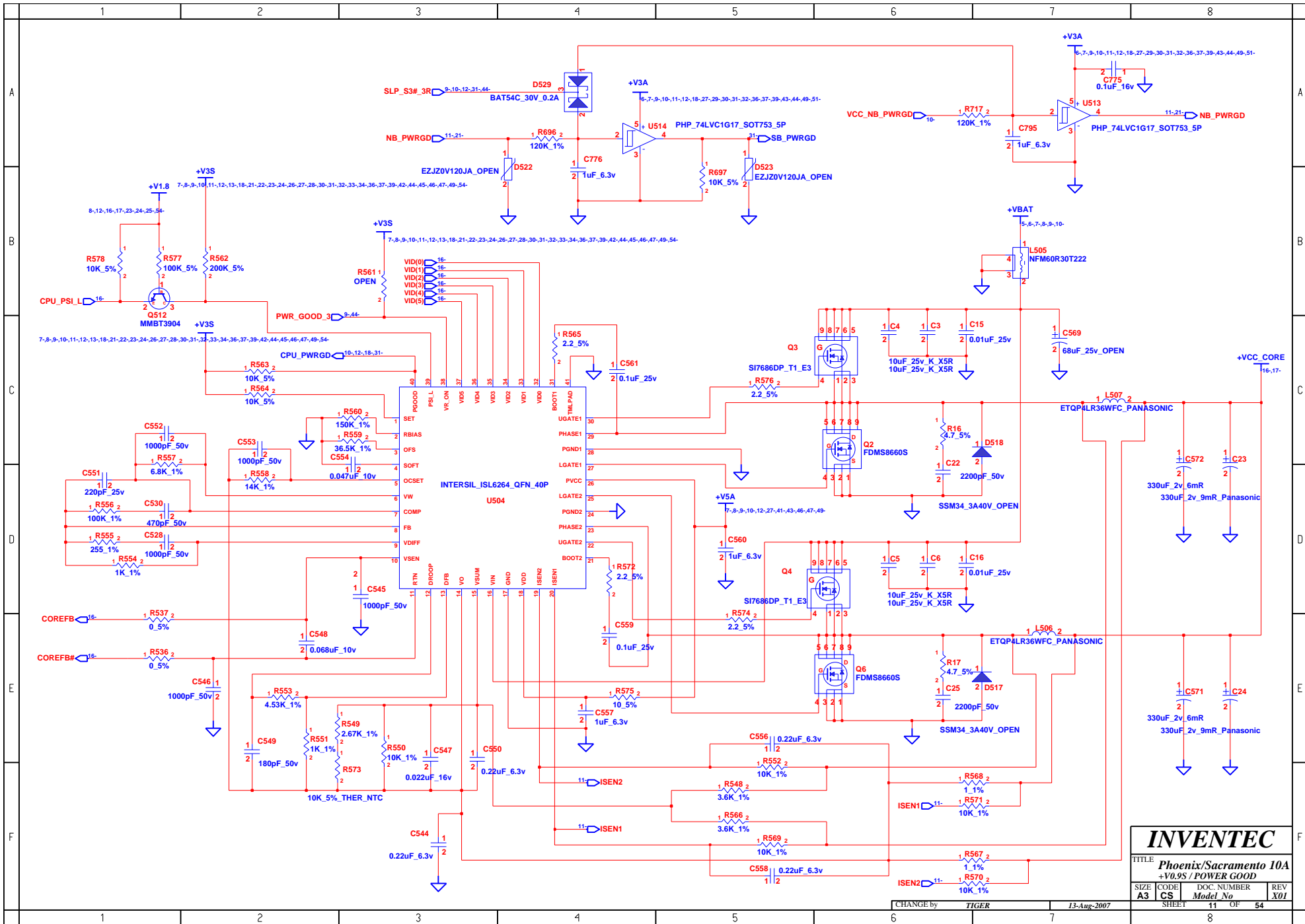


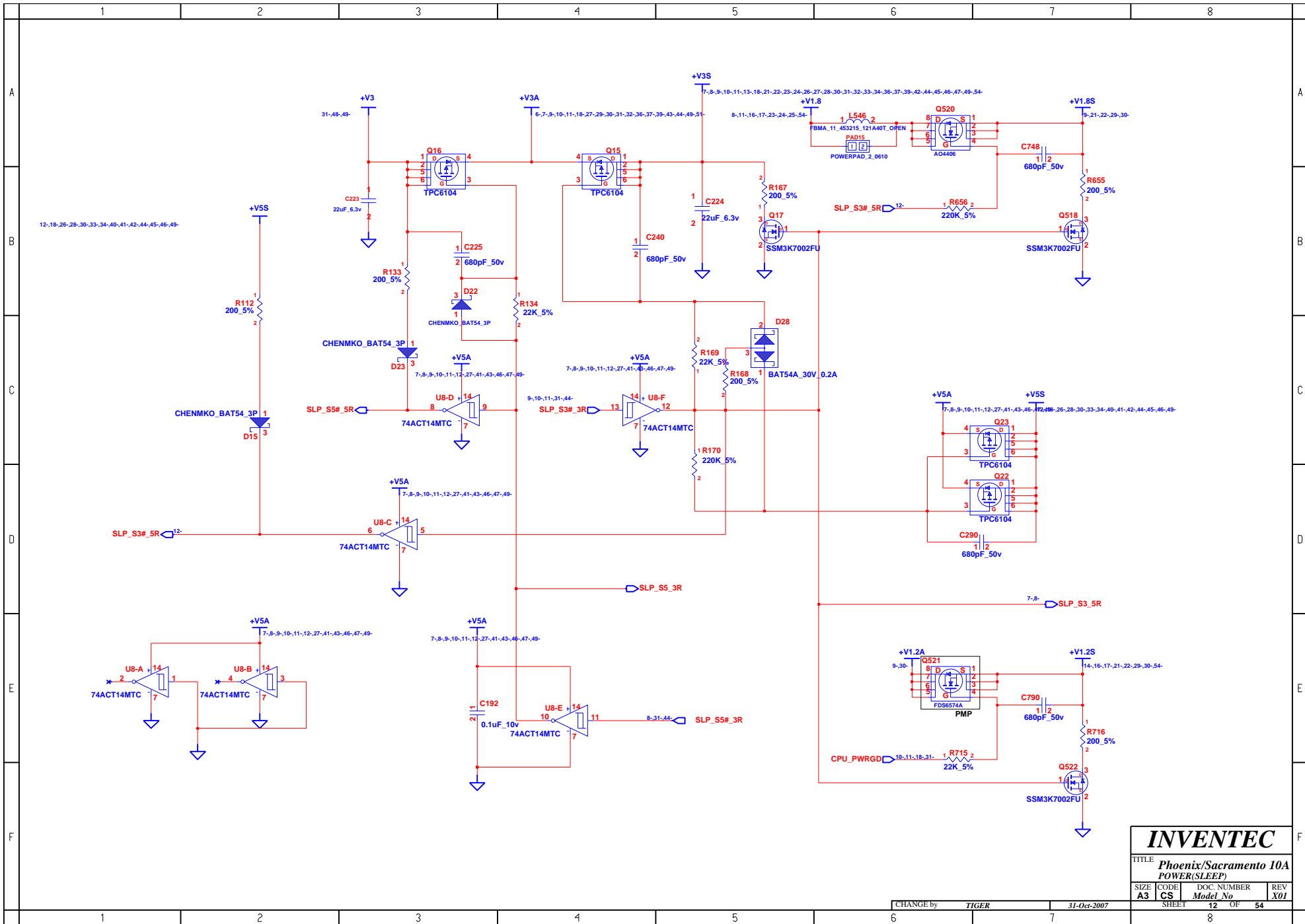
BUF_PLT_RST#	+VCC_NB
1	STRP_DATA
0	1.2

STRP_DATA	+VCC_NB
0	1.0
1	1.2

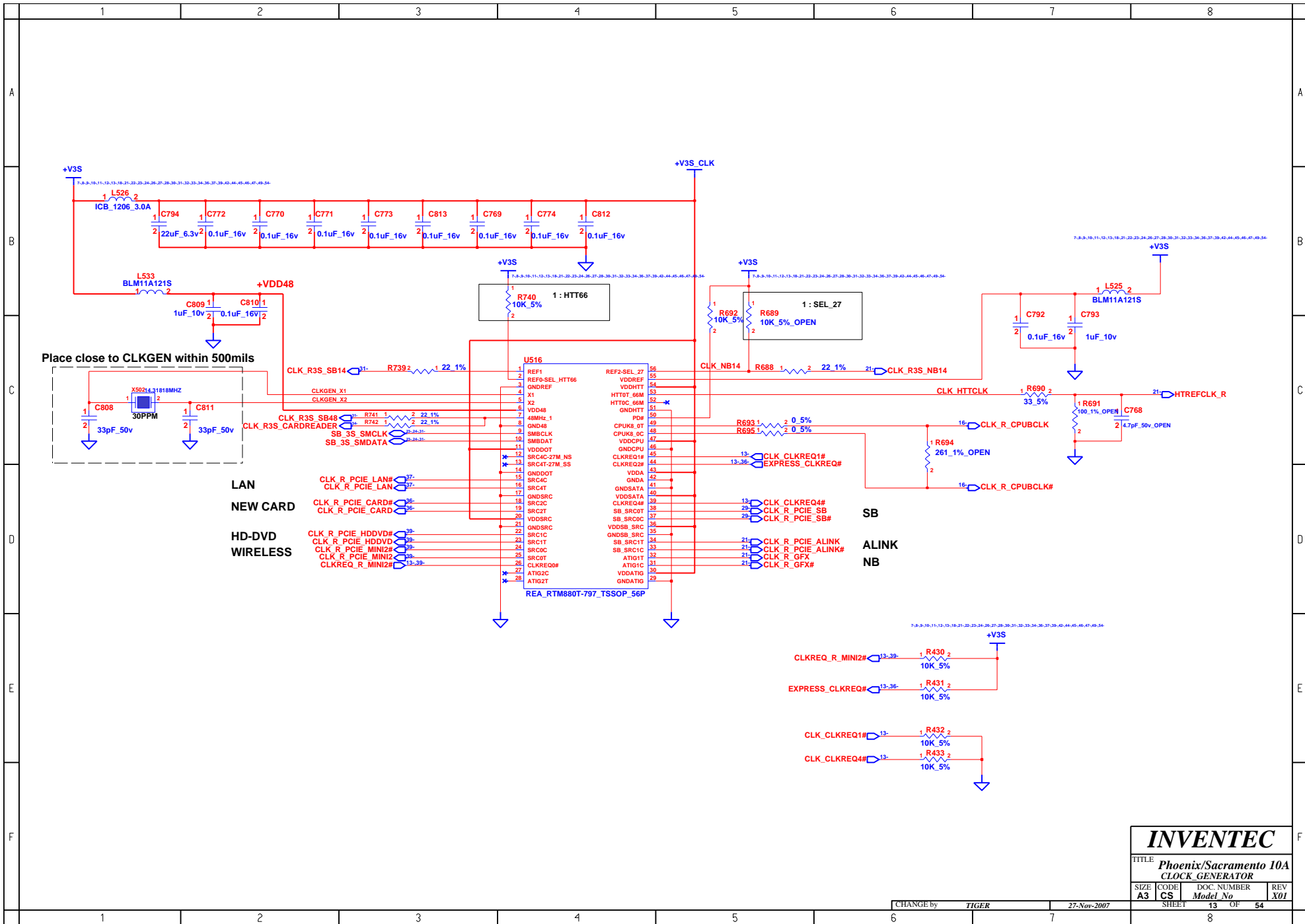
R590 If use STRP change to 8.2K

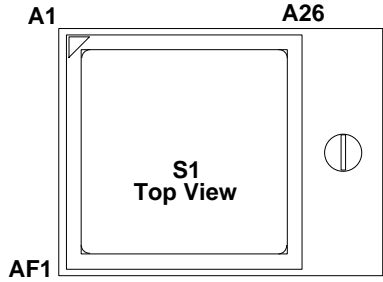
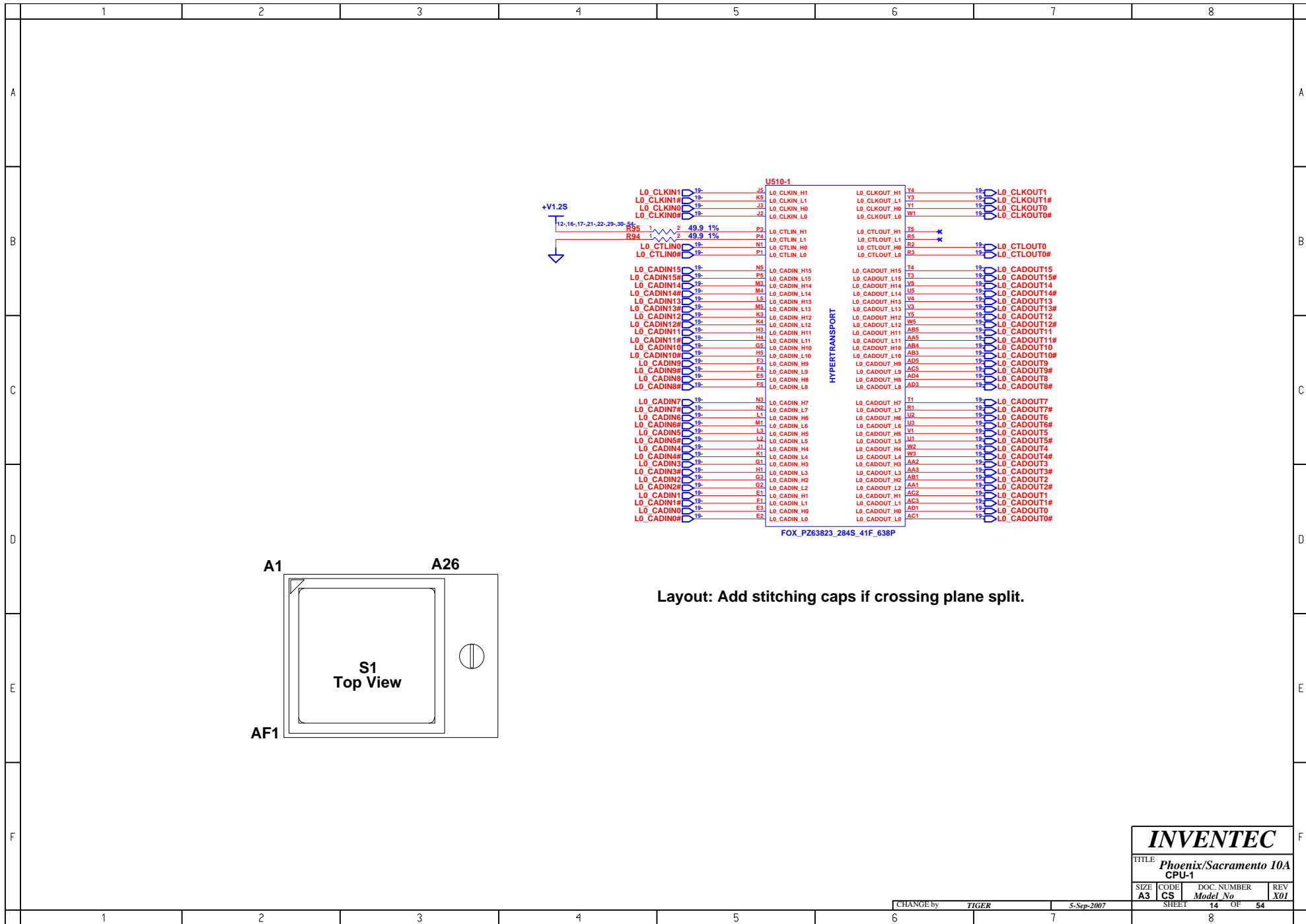
INVENTEC			
TITLE Phoenix/Sacramento 10A CPU POWER(VCC_CORE)			
SIZE A3	CODE CS	DOC. NUMBER <i>Model No</i>	REV X01
CHANGE by TIGER		29-Oct-2007	
SHEET 10 OF 54		8	



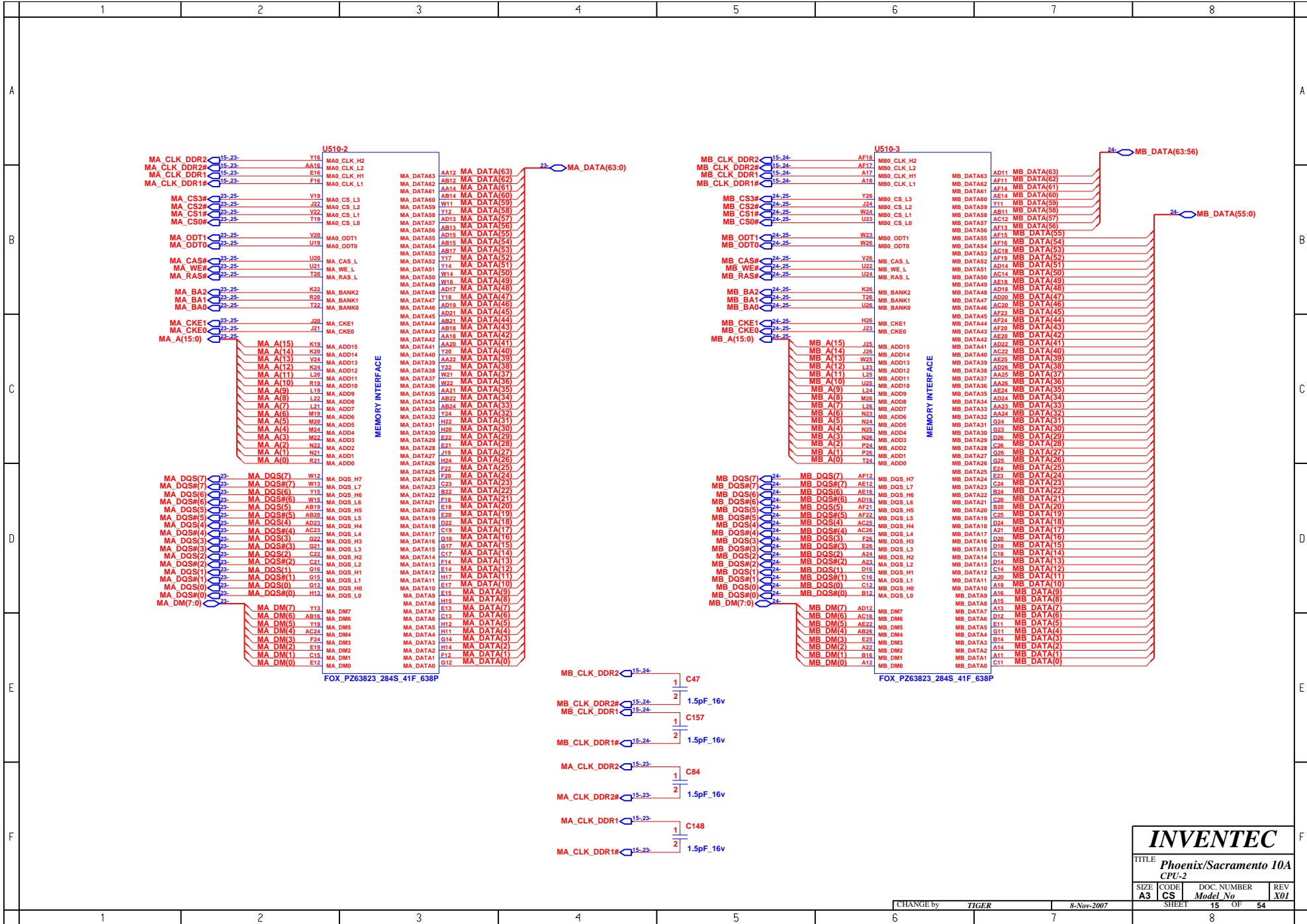


INVENTEC			
TITLE Phoenix/Sacramento 10A POWER(SLEEP)			
SIZE A3	CODE CS	DOC. NUMBER <i>Model No</i>	REV X01
CHANGE by TIGER		31-Oct-2007	
SHEET 12		OF 54	

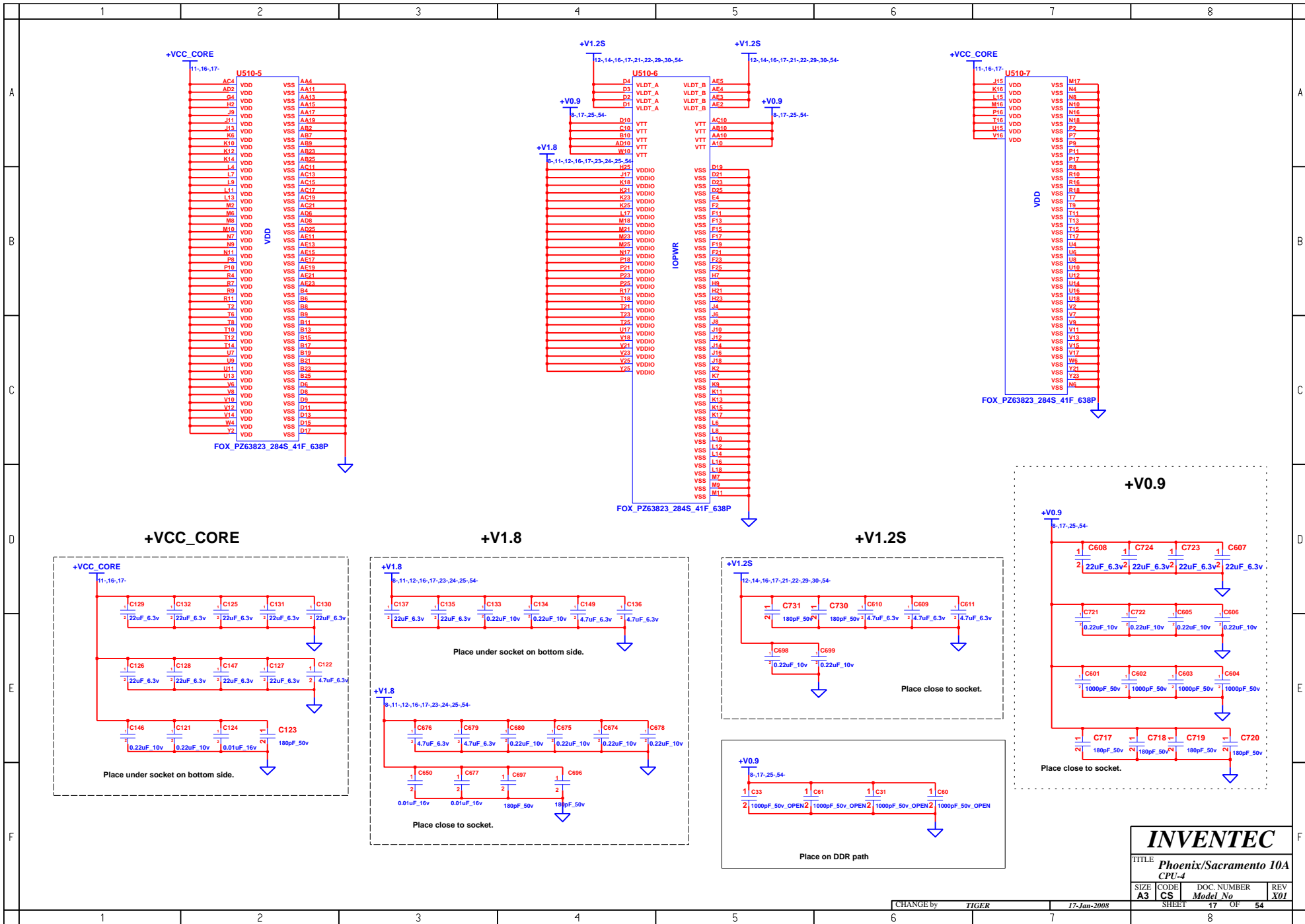




INVENTEC			
TITLE Phoenix/Sacramento 10A CPU-1			
SIZE A3	CODE CS	DOC. NUMBER <i>Model No</i>	REV X01
CHANGE by TIGER		5-Sep-2007	SHEET 14 OF 54

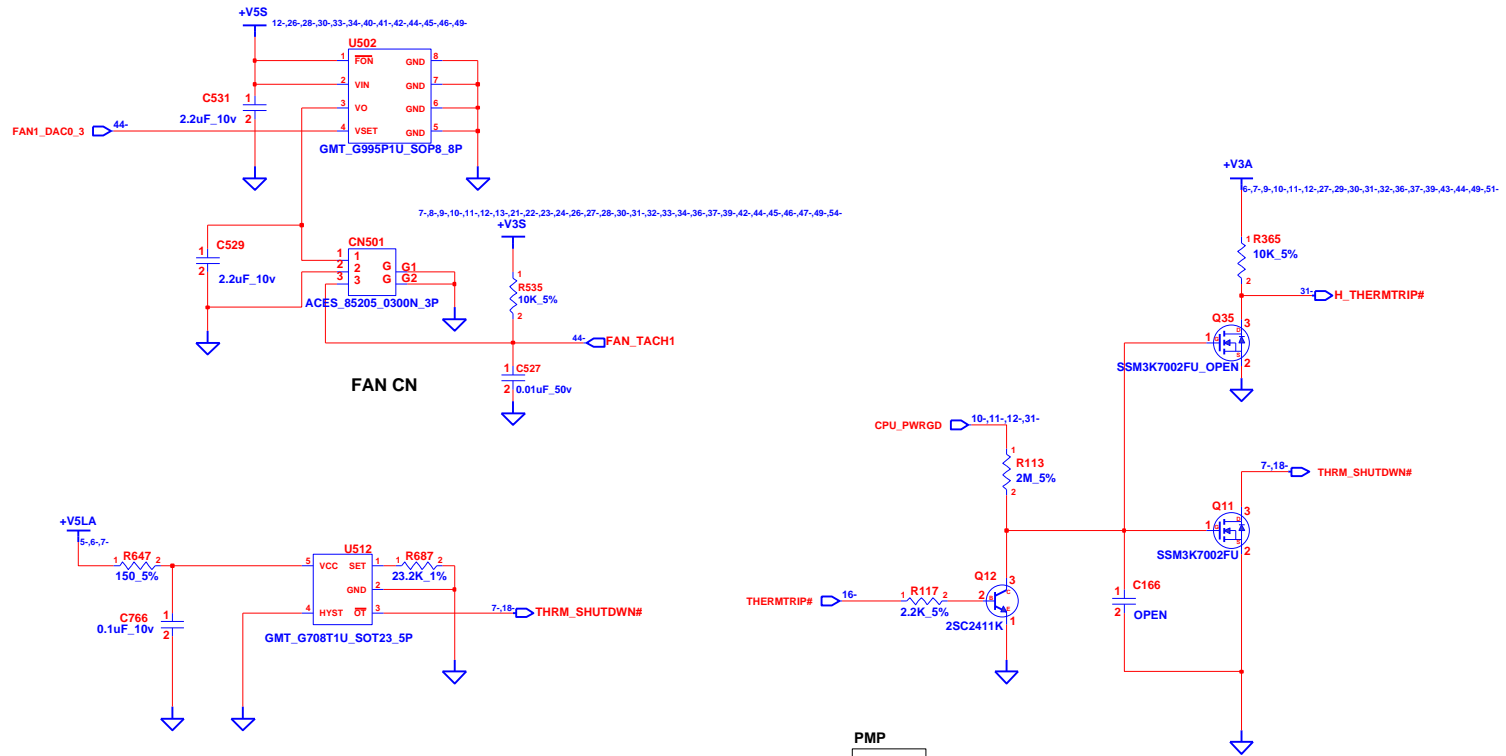


INVENTEC			
TITLE: Phoenix/Sacramento 10A CPU-2			
SIZE	CODE	DOC. NUMBER	REV
A3	CS	Model No	X01
CHANGE by		TIGER	8-Nov-2007
SHEET		15	OF 54

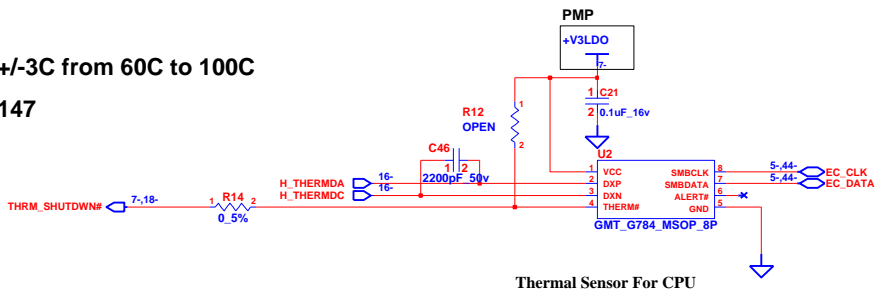


INVENTEC			
TITLE: Phoenix/Sacramento 10A CPU-4			
SIZE: A3	CODE: CS	DOC. NUMBER: Model No	REV: X01
SHEET 17		OF 54	

CHANGE by TIGER 17-Jan-2008

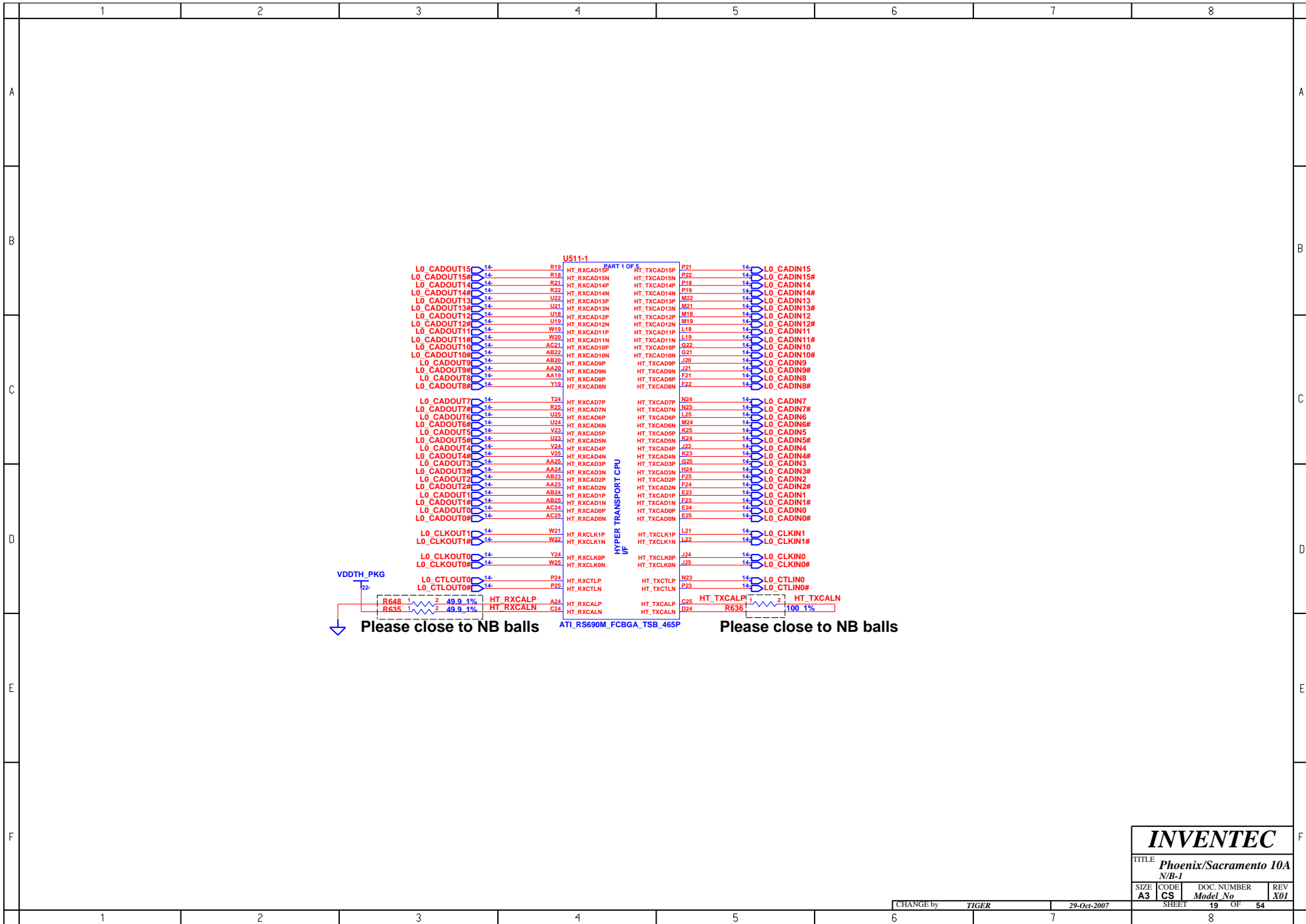


Thermal shutdown at 88.5C +/-3C from 60C to 100C
 $R_{SET} = 0.0012 * T^2 - 0.9308 * T + 96.147$
 Hysteresis is 30C

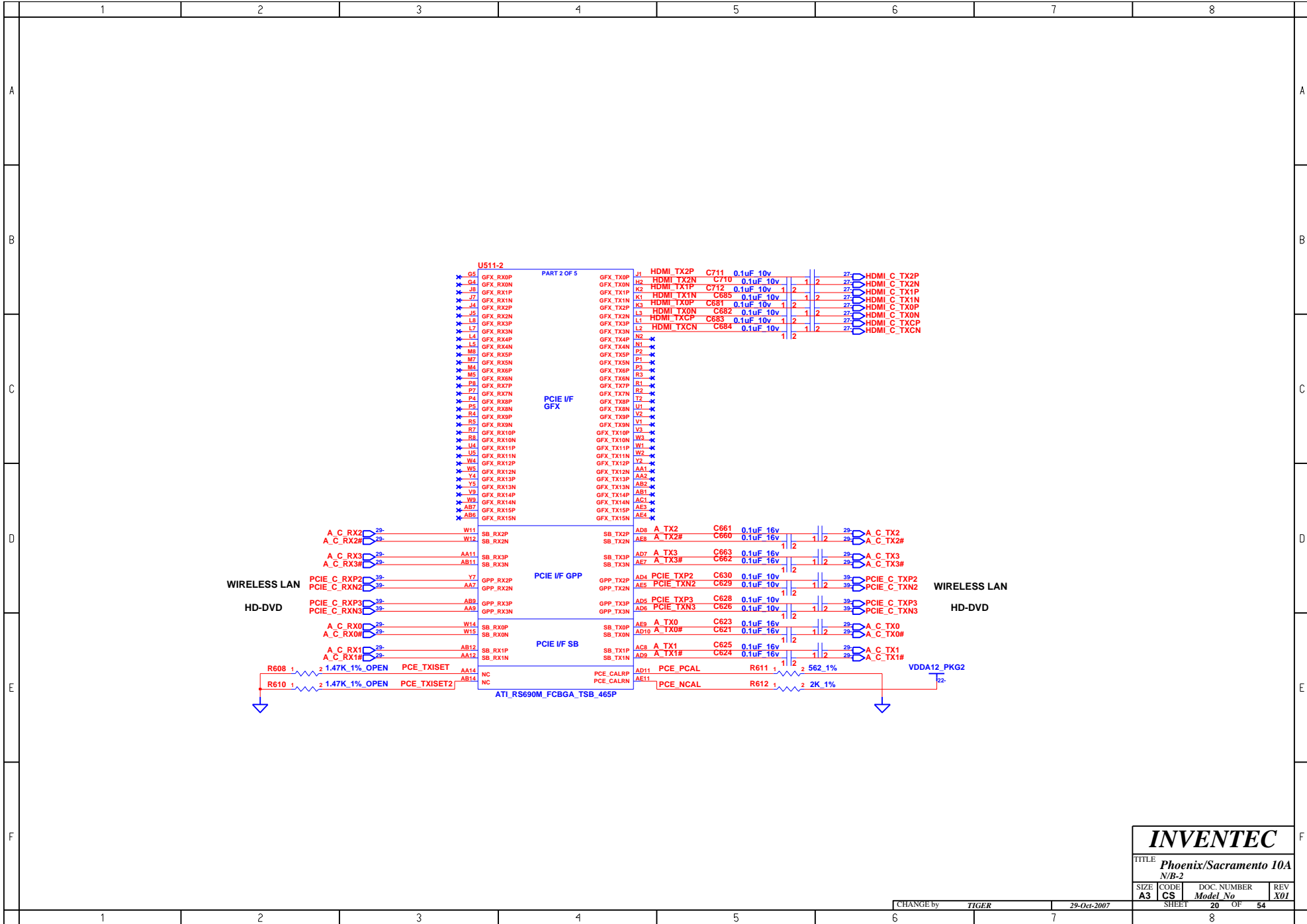


Thermal Sensor For CPU

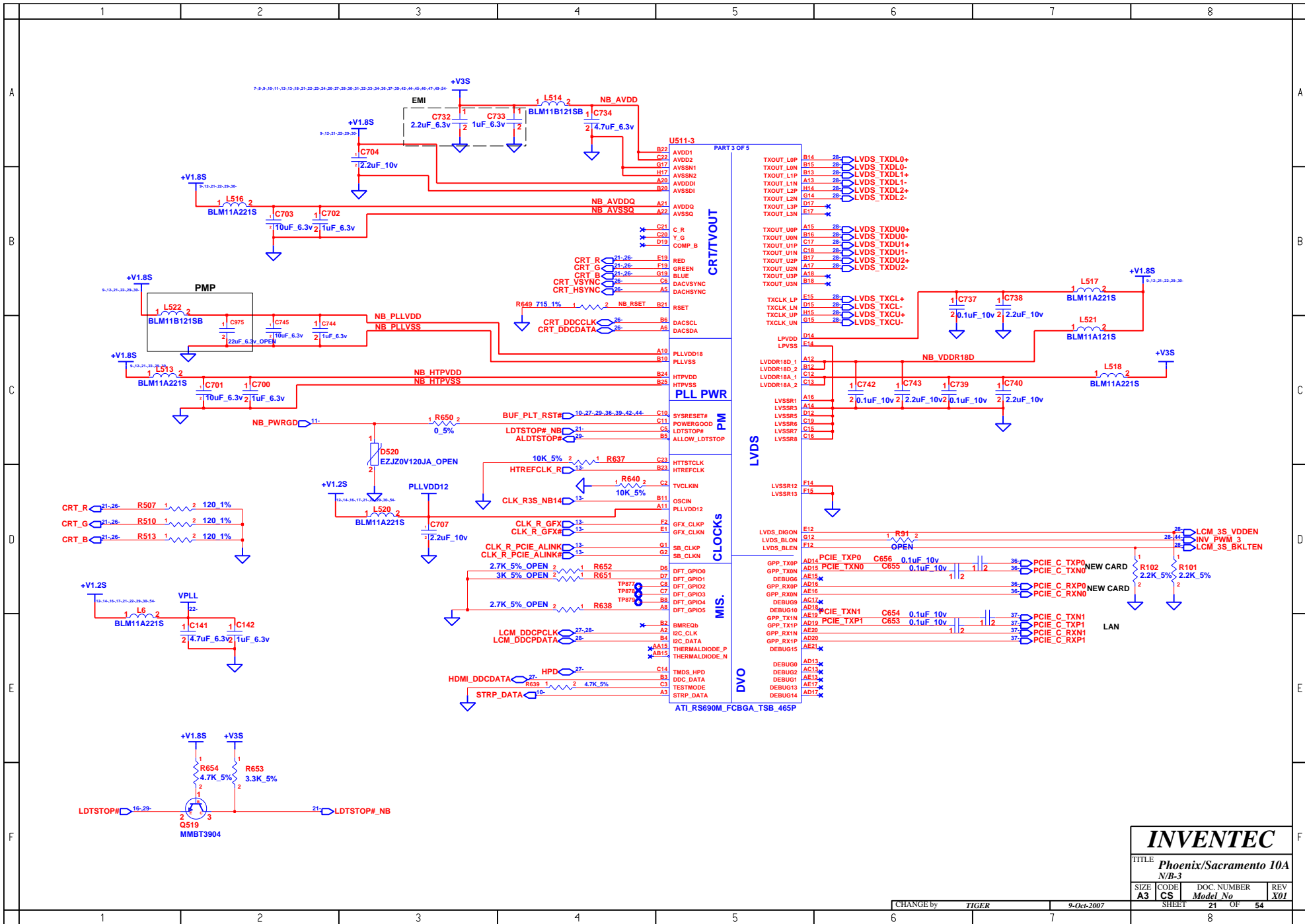
INVENTEC			
TITLE Phoenix/Sacramento 10A			
THERMAL&FAN CONTROLLER			
SIZE	CODE	DOC. NUMBER	REV
A3	CS	Model No	X01
CHANGE by		TIGER	13-Aug-2007
SHEET		18	OF 54



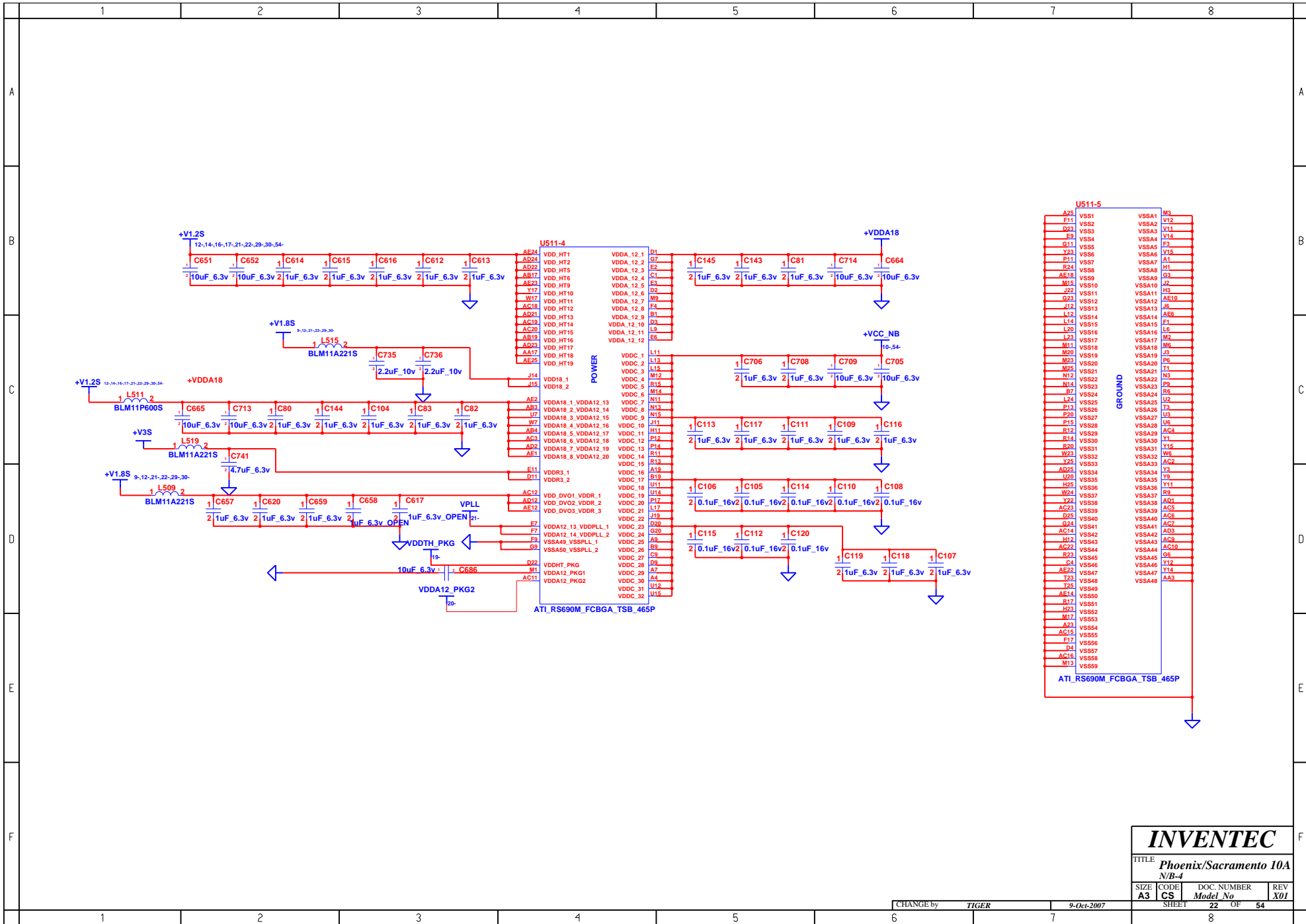
INVENTEC			
TITLE Phoenix/Sacramento 10A			
N/B-1			
SIZE	CODE	DOC. NUMBER	REV
A3	CS	Model No	X01
CHANGE by TIGER		29-Oct-2007	SHEET 19 OF 54



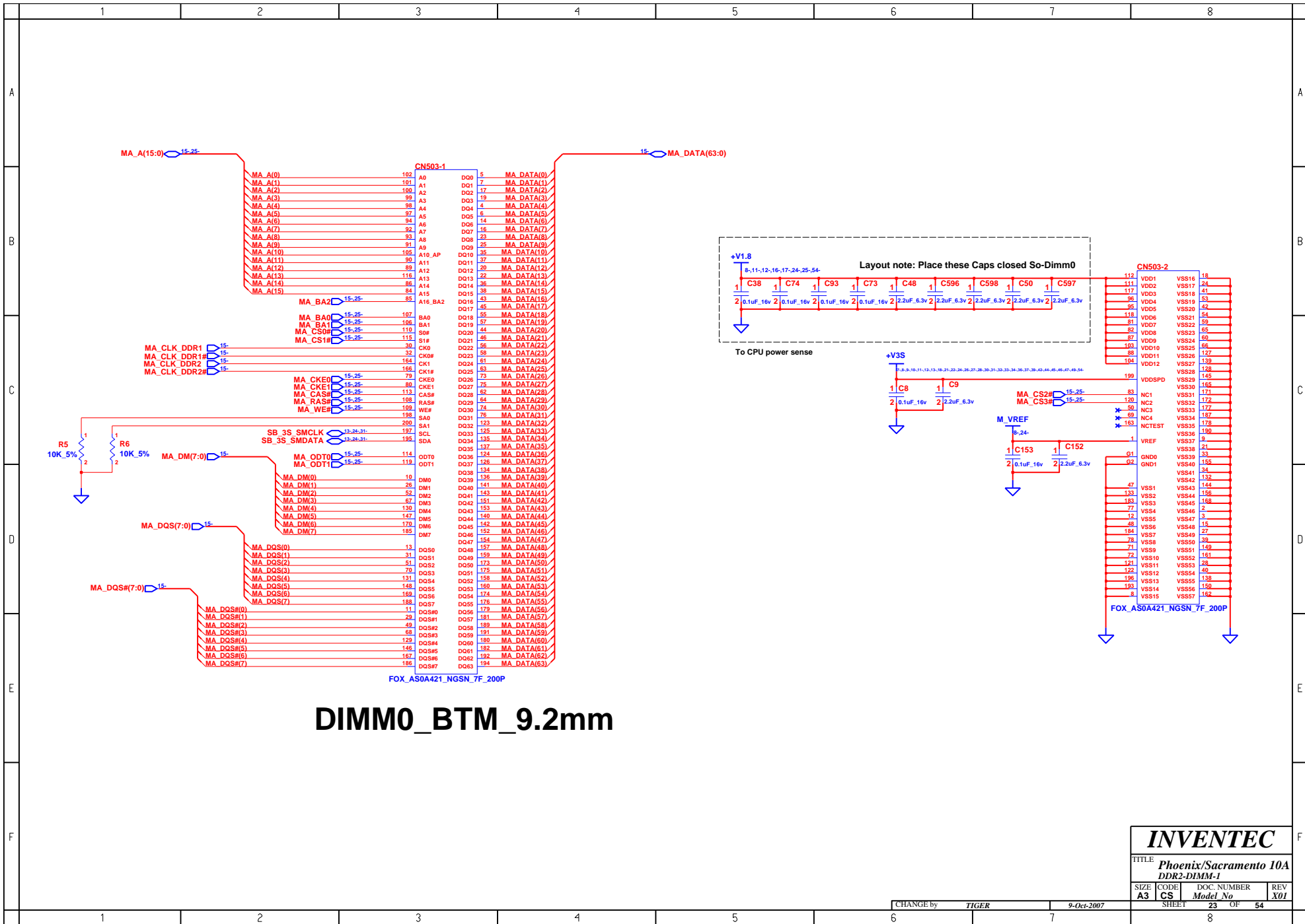
INVENTEC			
TITLE Phoenix/Sacramento 10A			
N/B-2			
SIZE	CODE	DOC. NUMBER	REV
A3	CS	Model No	X01
CHANGE by TIGER		29-Oct-2007	SHEET 20 OF 54

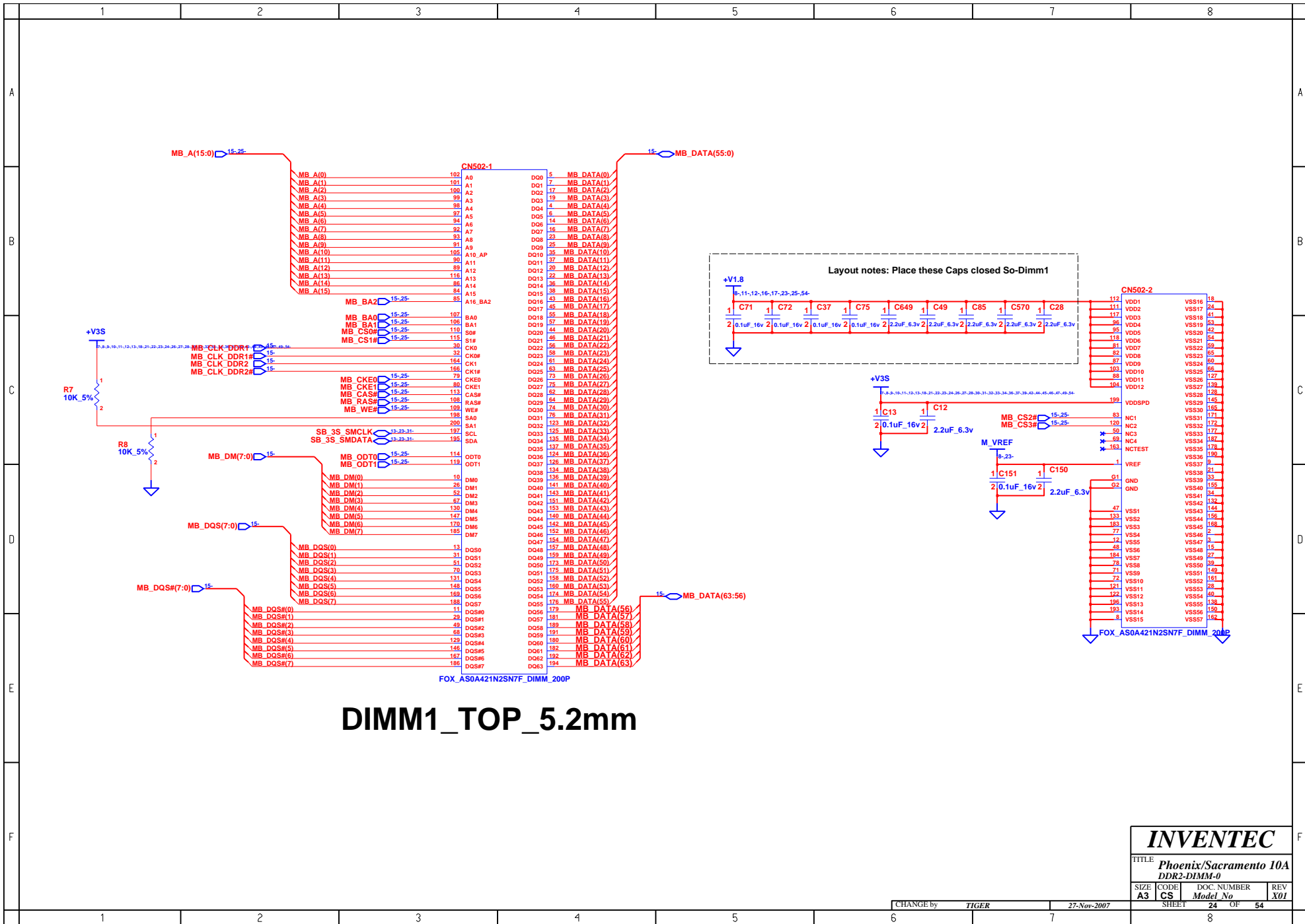


INVENTEC			
TITLE Phoenix/Sacramento 10A			
N/B-3			
SIZE	CODE	DOC. NUMBER	REV
A3	CS	21	X01

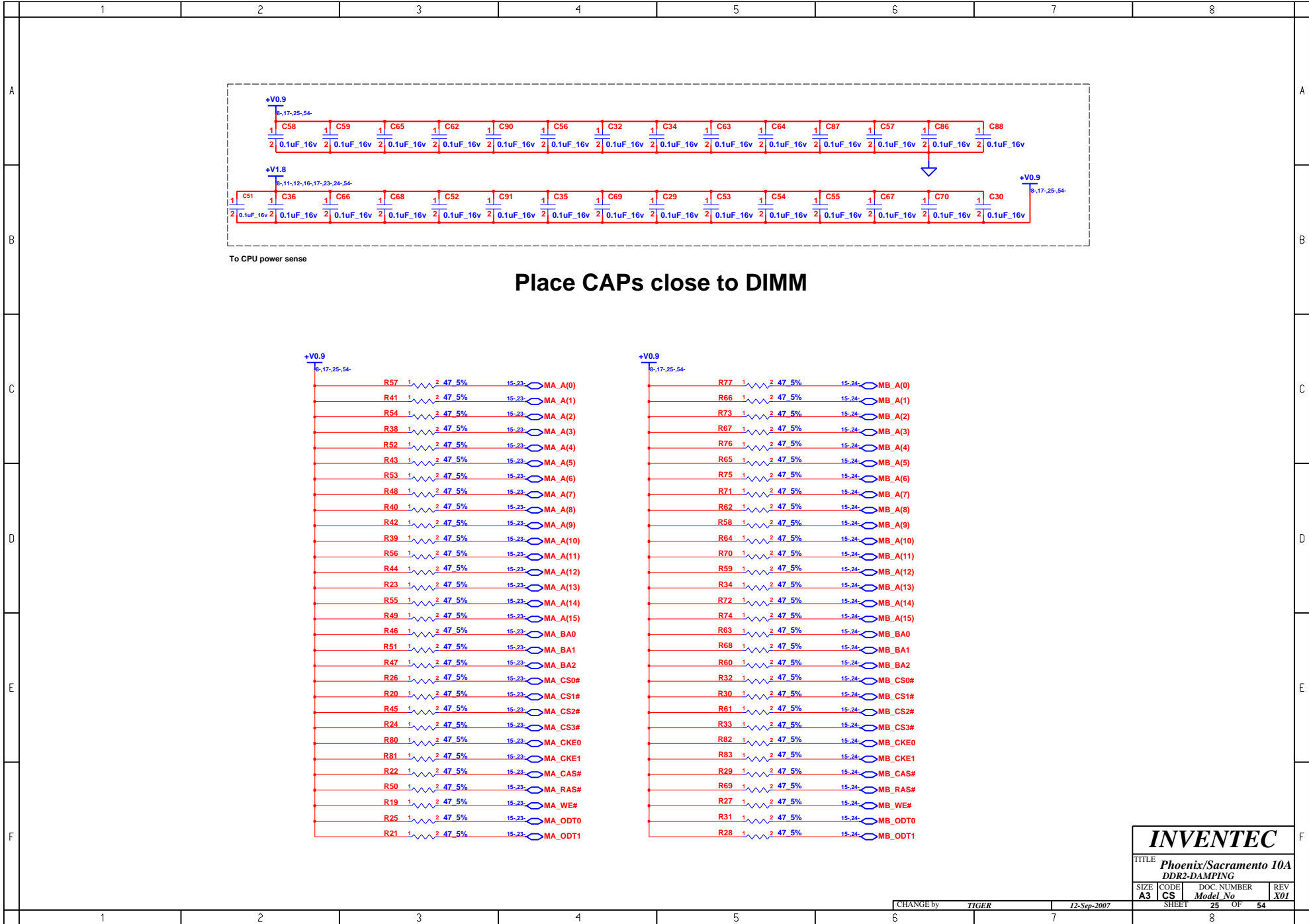


INVENTEC			
TITLE: Phoenix/Sacramento 10A			
N/B-4			
SIZE	CODE	DOC. NUMBER	REV
A3	CS	Model No	X01
CHANGE by		TIGER	9-Oct-2007
SHEET		22	OF 54



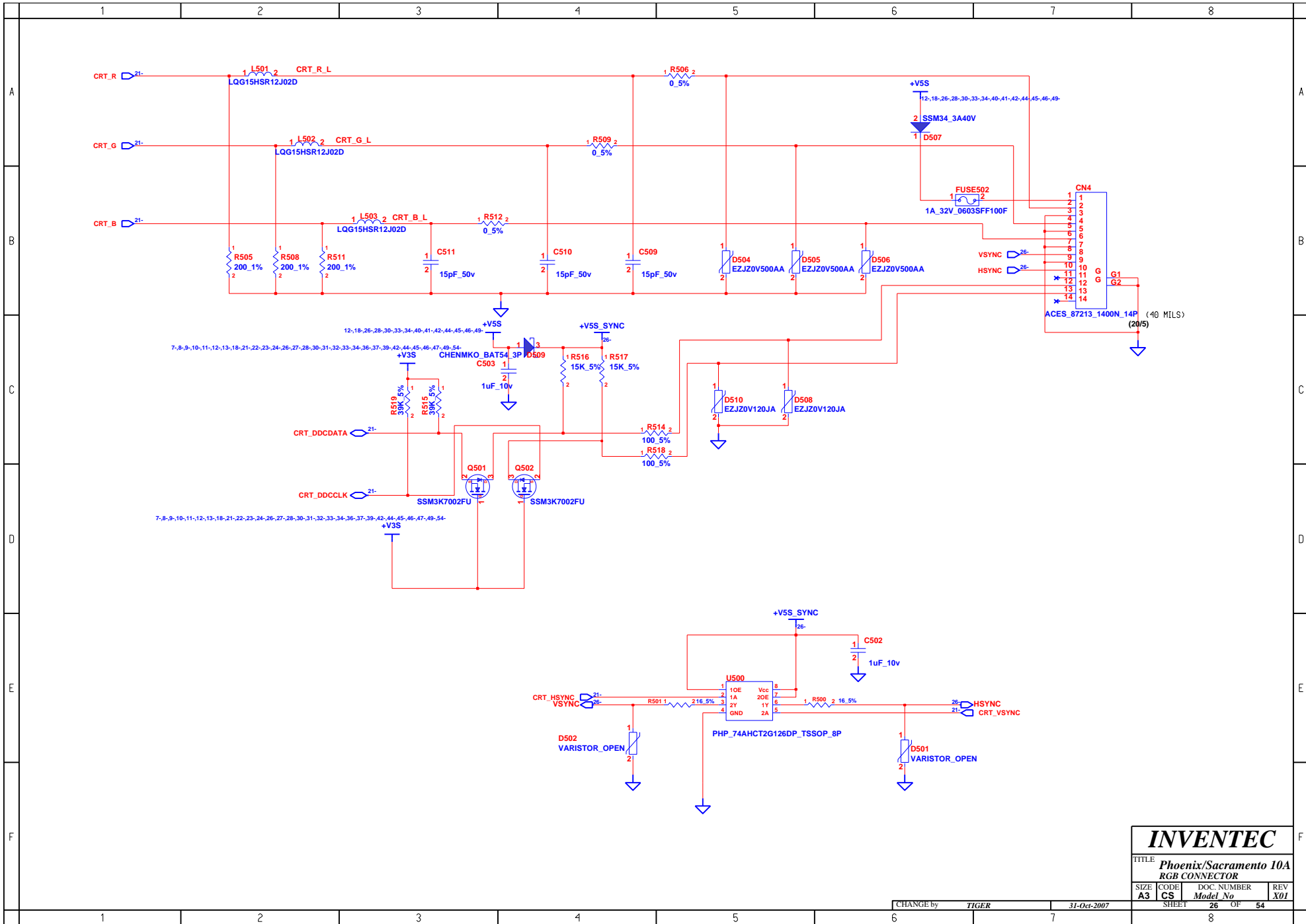


INVENTEC			
TITLE: Phoenix/Sacramento 10A			
DDR2-DIMM-0			
SIZE	CODE	DOC. NUMBER	REV
A3	CS	Model No	X01
CHANGE by		TIGER	27-Nov-2007
SHEET		24 OF 54	

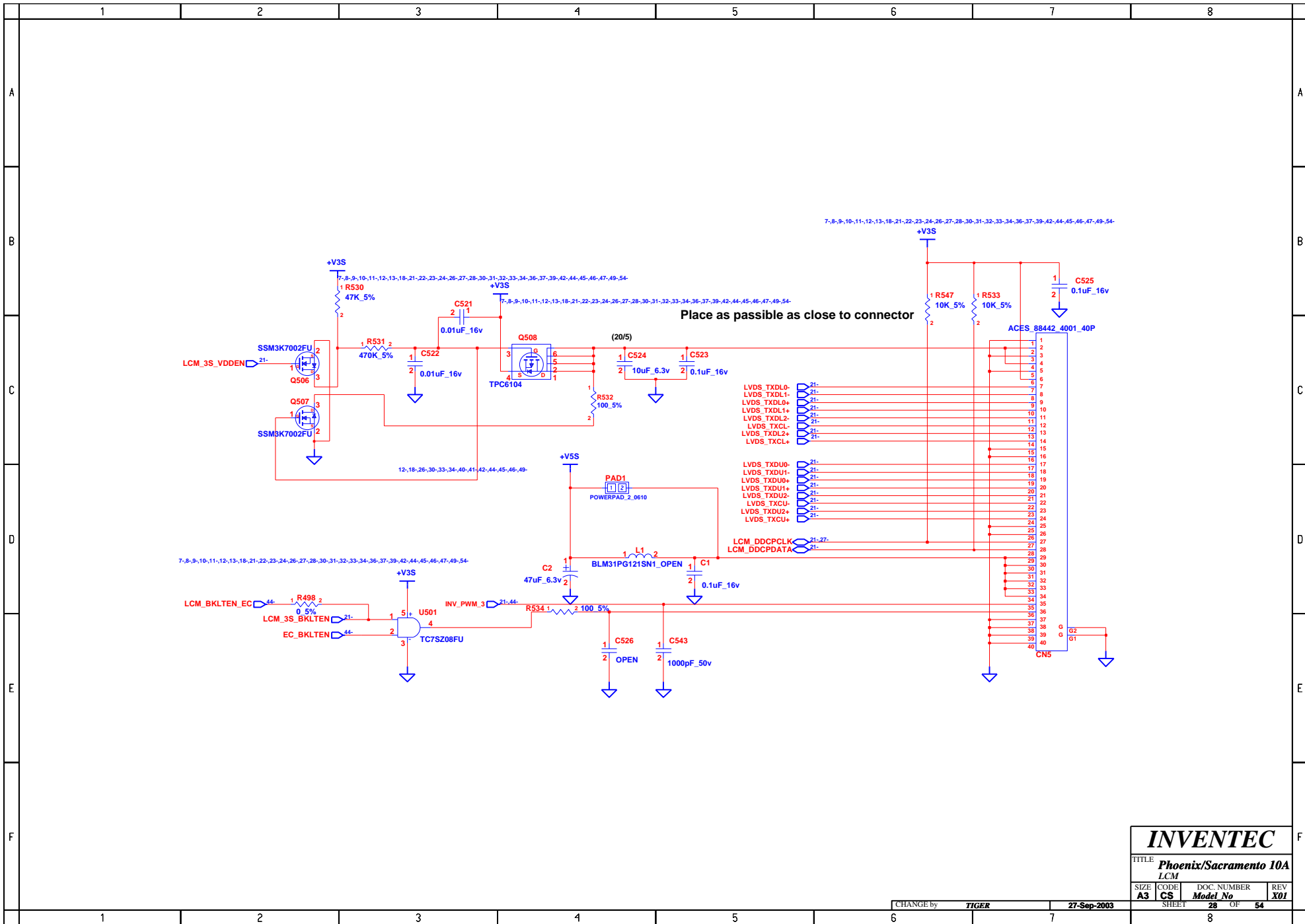


INVENTEC			
TITLE Phoenix/Sacramento 10A			
DDR2-DAMPING			
SIZE	CODE	DOC. NUMBER	REV
A3	CS	Model No	X01
SHEET		25	OF 54

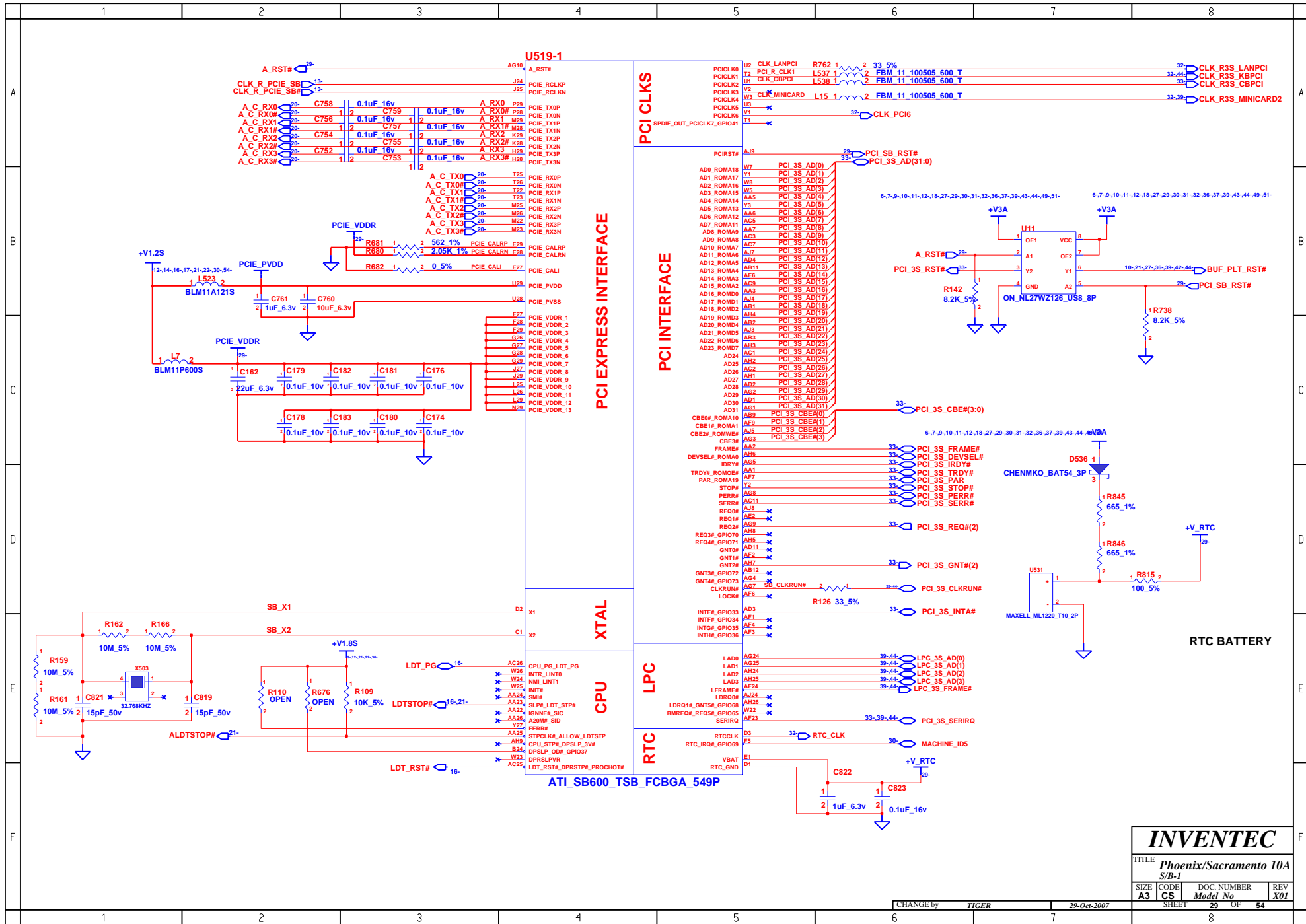
CHANGE by **TIGER** 12-Sep-2007

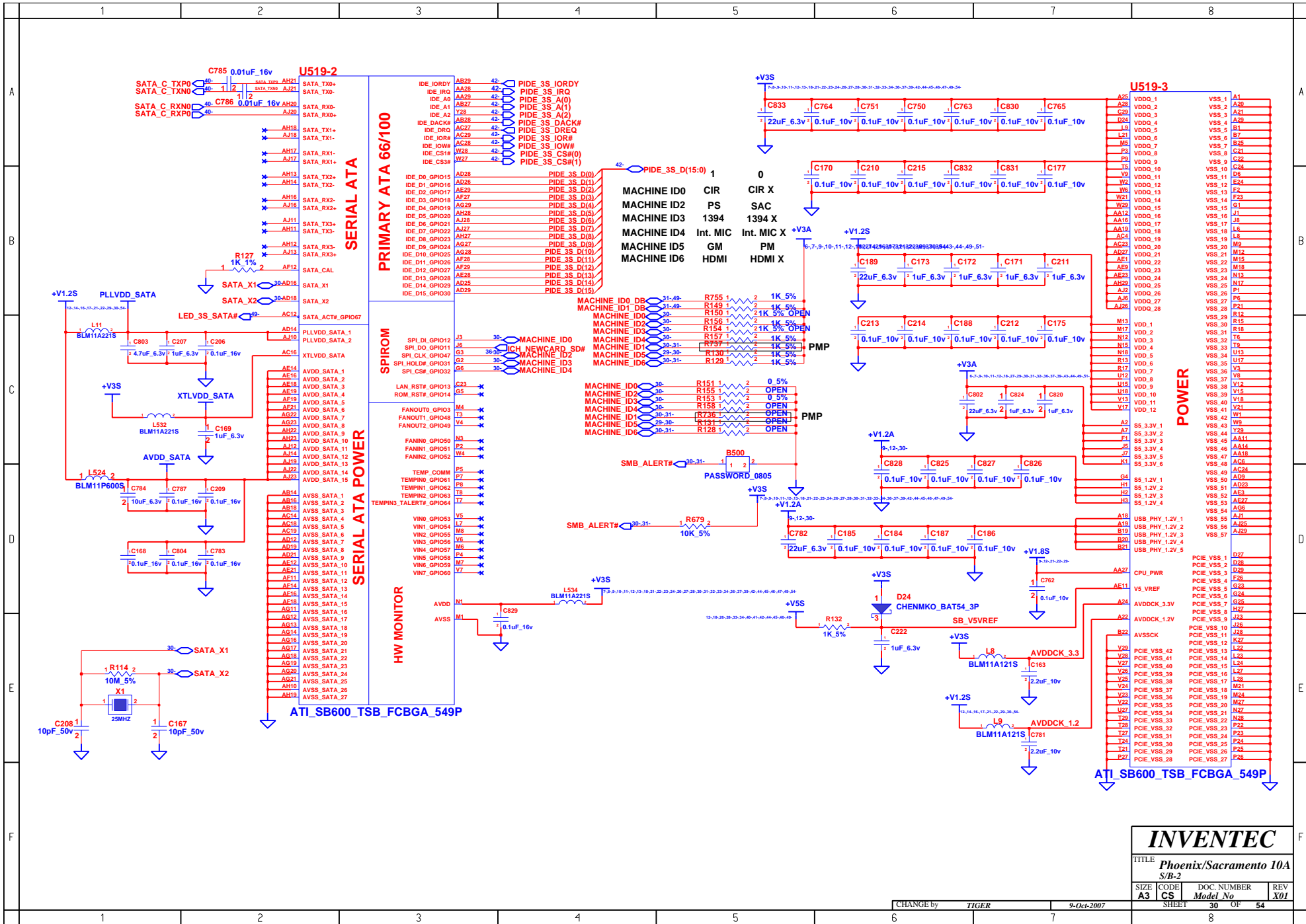


INVENTEC			
TITLE Phoenix/Sacramento 10A RGB CONNECTOR			
SIZE A3	CODE CS	DOC. NUMBER <i>Model No</i>	REV X01
CHANGE by TIGER		31-Oct-2007	
SHEET 26 OF 54		8	



INVENTEC			
TITLE Phoenix/Sacramento 10A			
LCM			
SIZE	CODE	DOC. NUMBER	REV
A3	CS	Model No	X01
CHANGE by TIGER		27-Sep-2003	SHEET 28 OF 54





INVENTEC

TITLE **Phoenix/Sacramento 10A**

S/B-2

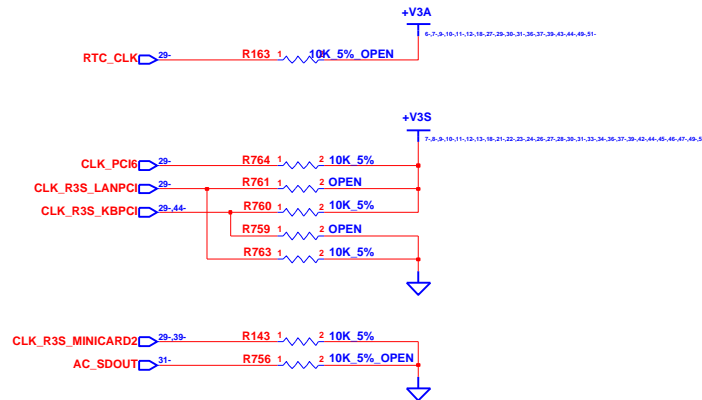
SIZE CODE DOC. NUMBER REV
A3 CS Model No **30** OF **54**

CHANGE by **TIGER**

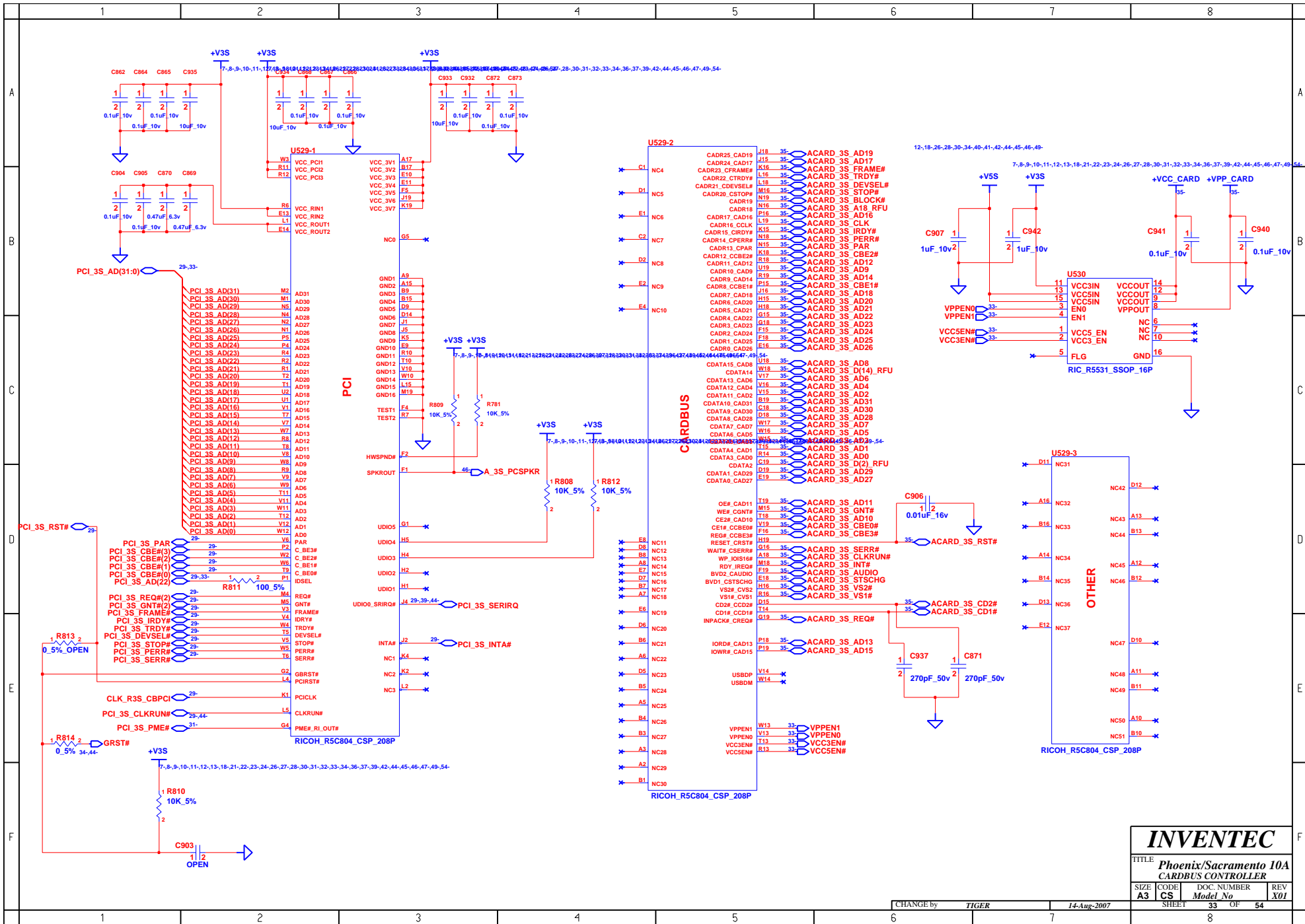
9-Oct-2007

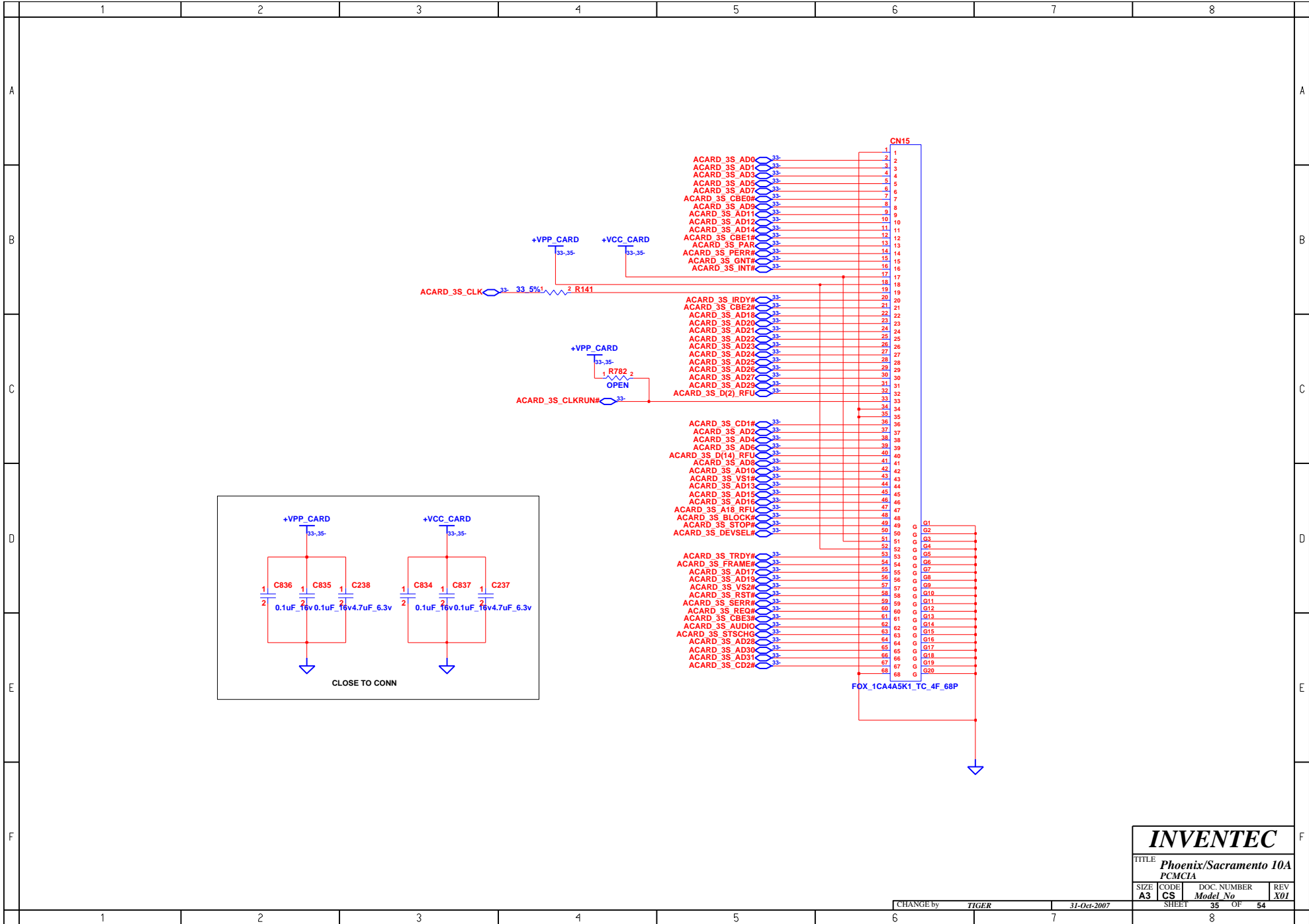
Required Straps:

	AC_SDOUT	RTC_CLK	CLK_R3S_MINICARD2	PCI_CLK6	PCI_CLK0 PCI_CLK1
PULL HIGH	USE DEBUG STRAPS	INTERNAL RTC	USE INT. PLL48	CPU K8	HH: PCI ROM HL: SPI ROM
PULL LOW	IGNORE DEBUG STRAPS	EXTERNAL RTC	USE EXT. 48M CLK	CPU P4	LH: LPC ROM LL: FWH ROM

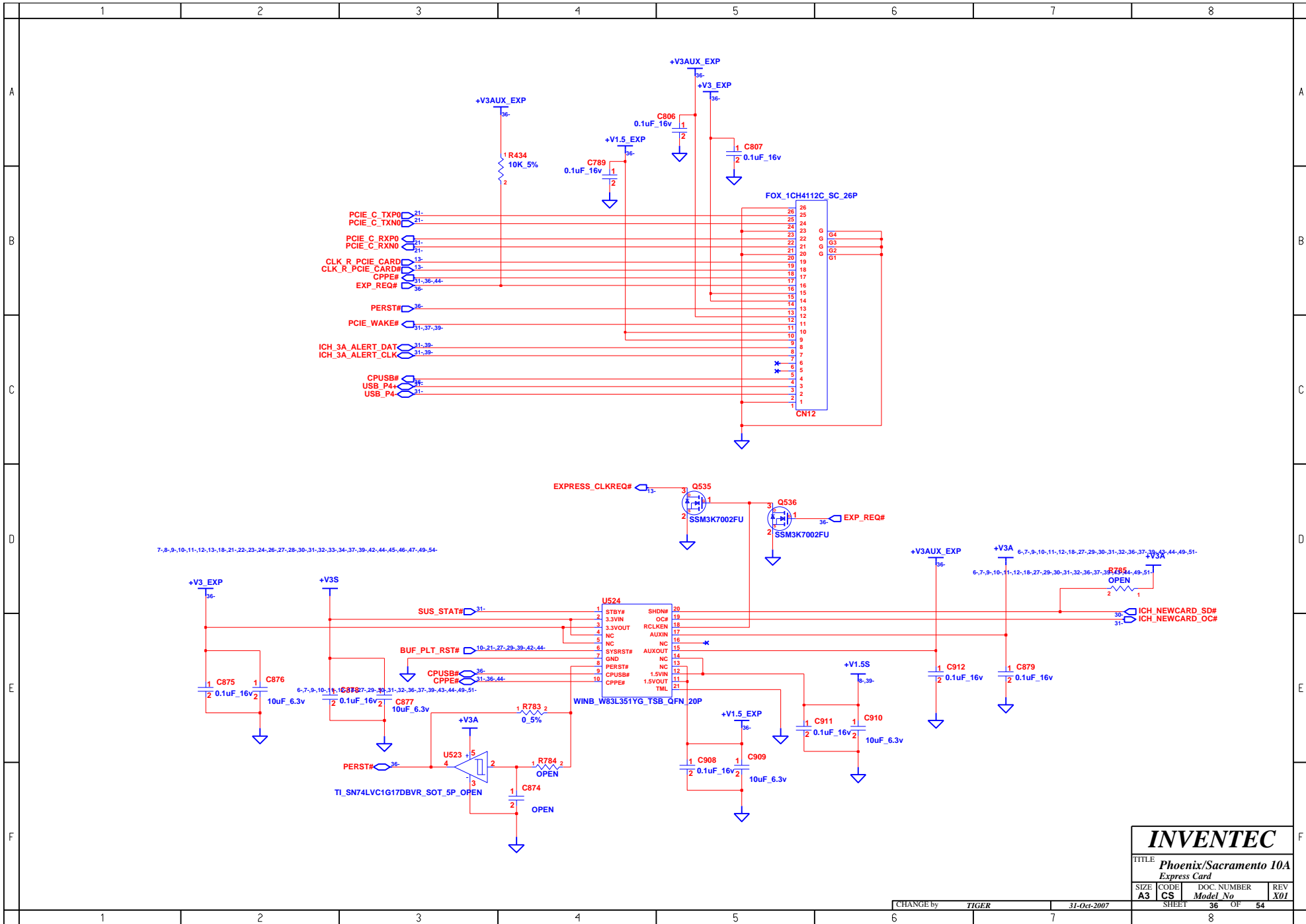


INVENTEC			
TITLE Phoenix/Sacramento 10A			
S/B-4			
SIZE	CODE	DOC. NUMBER	REV
A3	CS	Model No	X01
CHANGE by TIGER		19-Dec-2007	
SHEET		OF	
8		54	

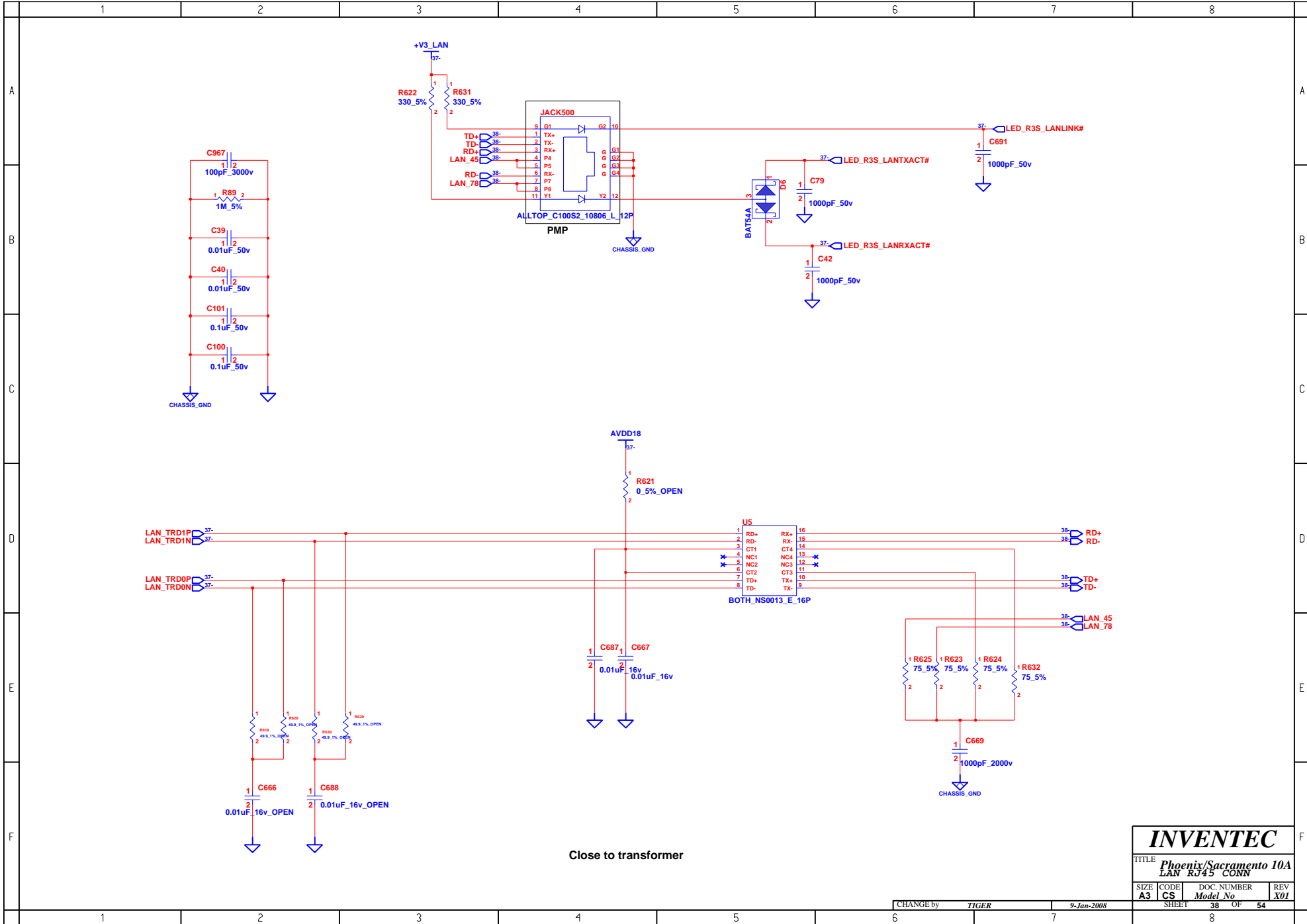




INVENTEC			
TITLE Phoenix/Sacramento 10A			
PCMCIA			
SIZE A3	CODE CS	DOC. NUMBER Model No	REV X01
CHANGE by TIGER		31-Oct-2007	SHEET 35 OF 54



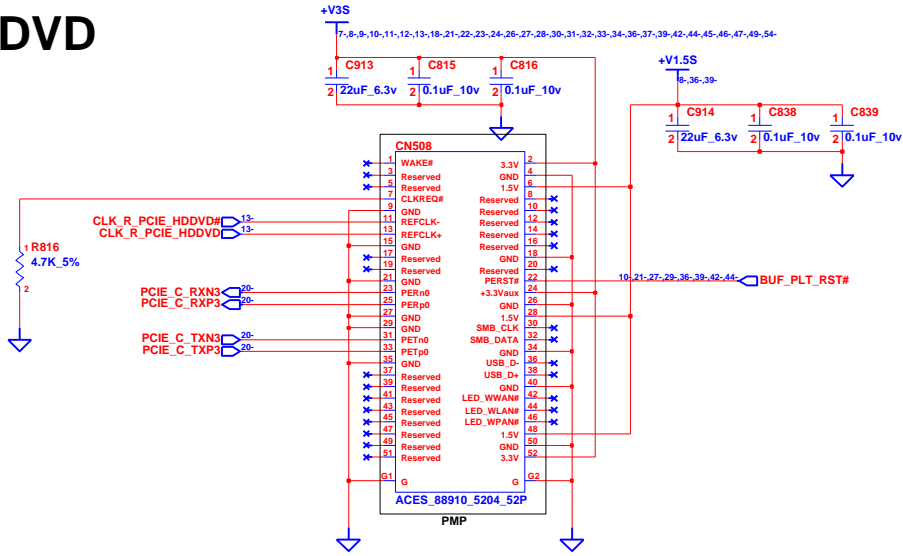
INVENTEC			
TITLE Phoenix/Sacramento 10A Express Card			
SIZE A3	CODE CS	DOC. NUMBER <i>Model No</i>	REV X01
CHANGE by TIGER		31-Oct-2007	
SHEET 36 OF 54		8	



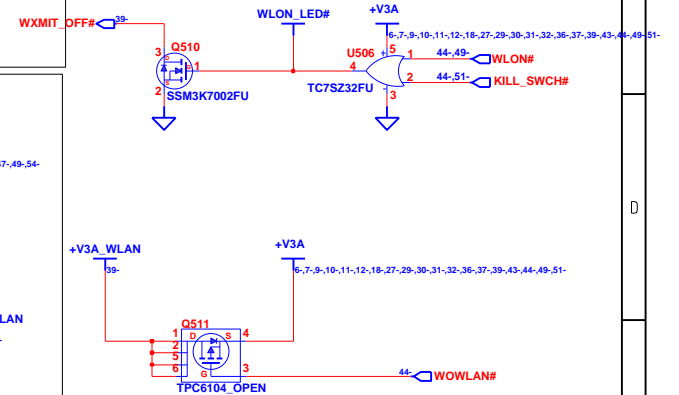
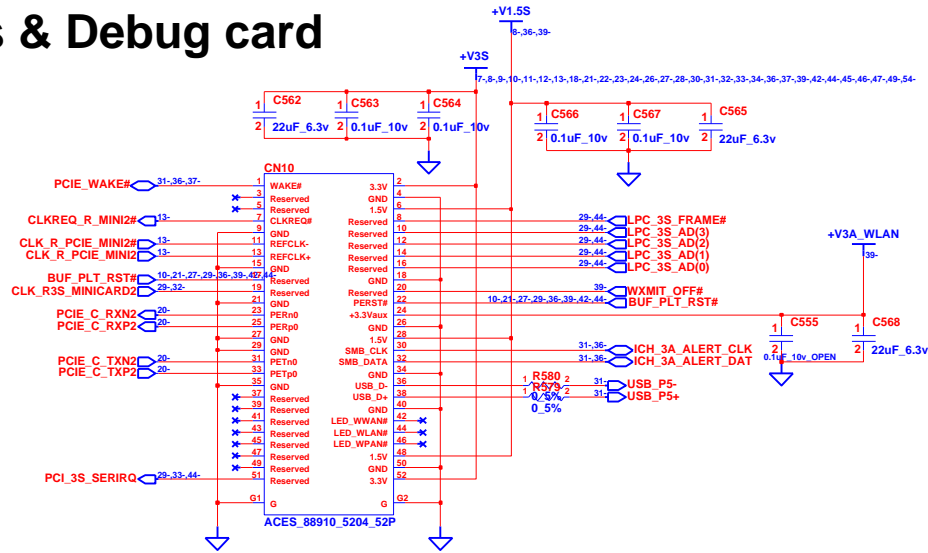
Close to transformer

INVENTEC			
TITLE Phoenix/Sacramento 10A LAN RJ45 CONN			
SIZE A3	CODE CS	DOC. NUMBER <i>Model No</i>	REV X01
CHANGE by TIGER		9-Jan-2008	
SHEET 38 OF 54		8	

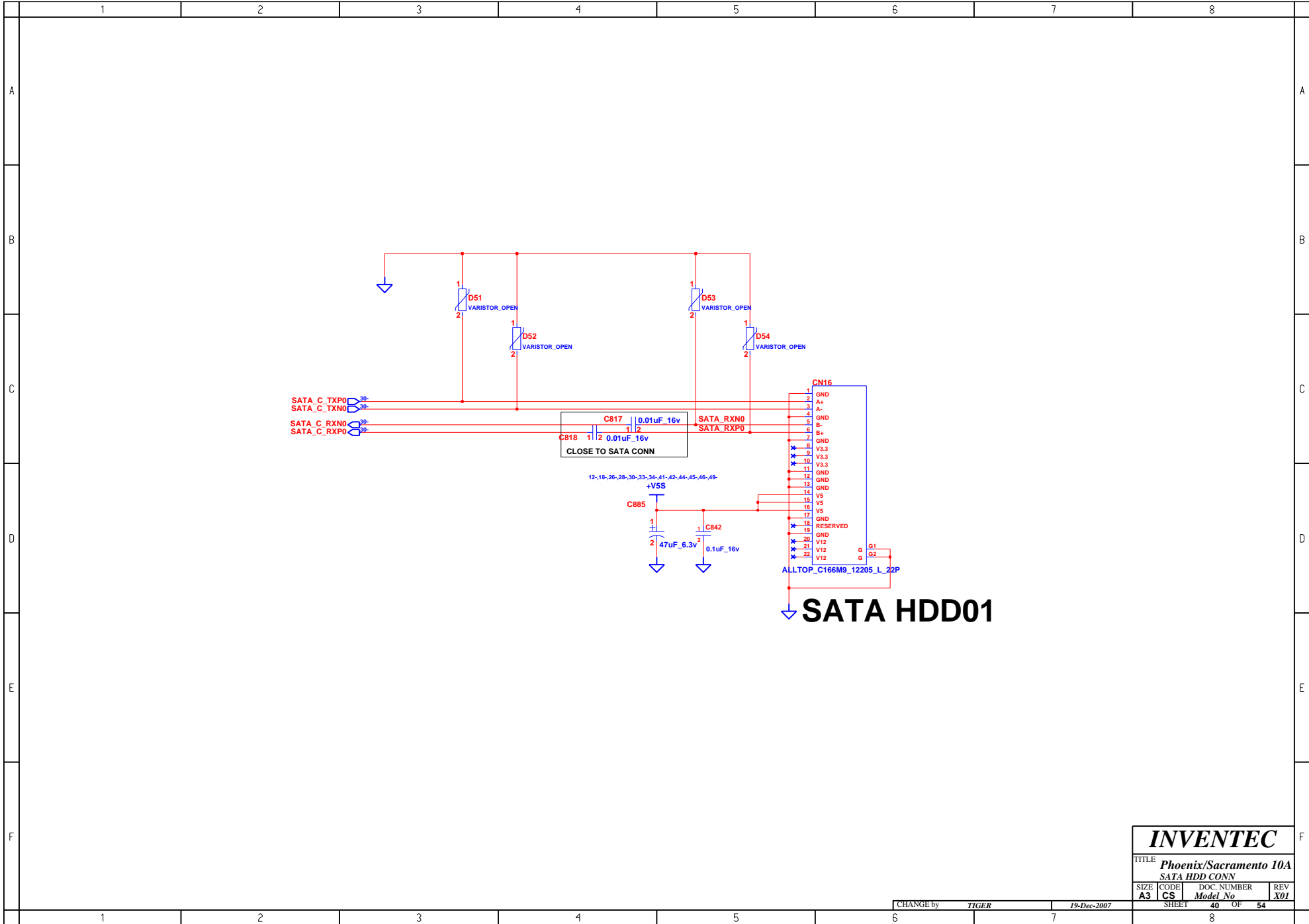
HD_DVD



Wireless & Debug card



INVENTEC			
TITLE Phoenix/Sacramento 10A			
Robson & WLAN			
SIZE A3	CODE CS	DOC. NUMBER <i>Model No</i>	REV X01
CHANGE by TIGER		27-Nov-2007	
SHEET 39		OF 54	

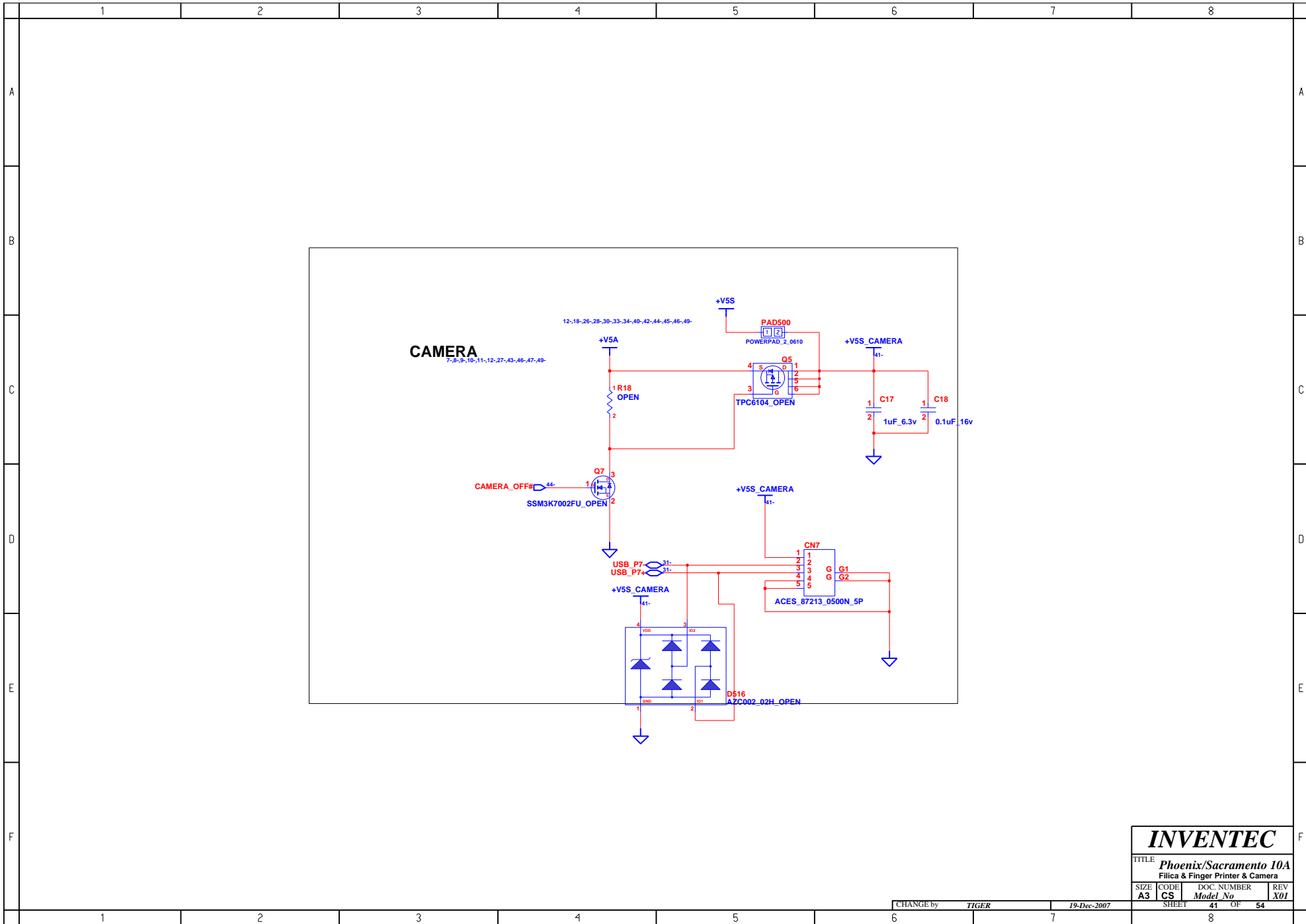


INVENTEC

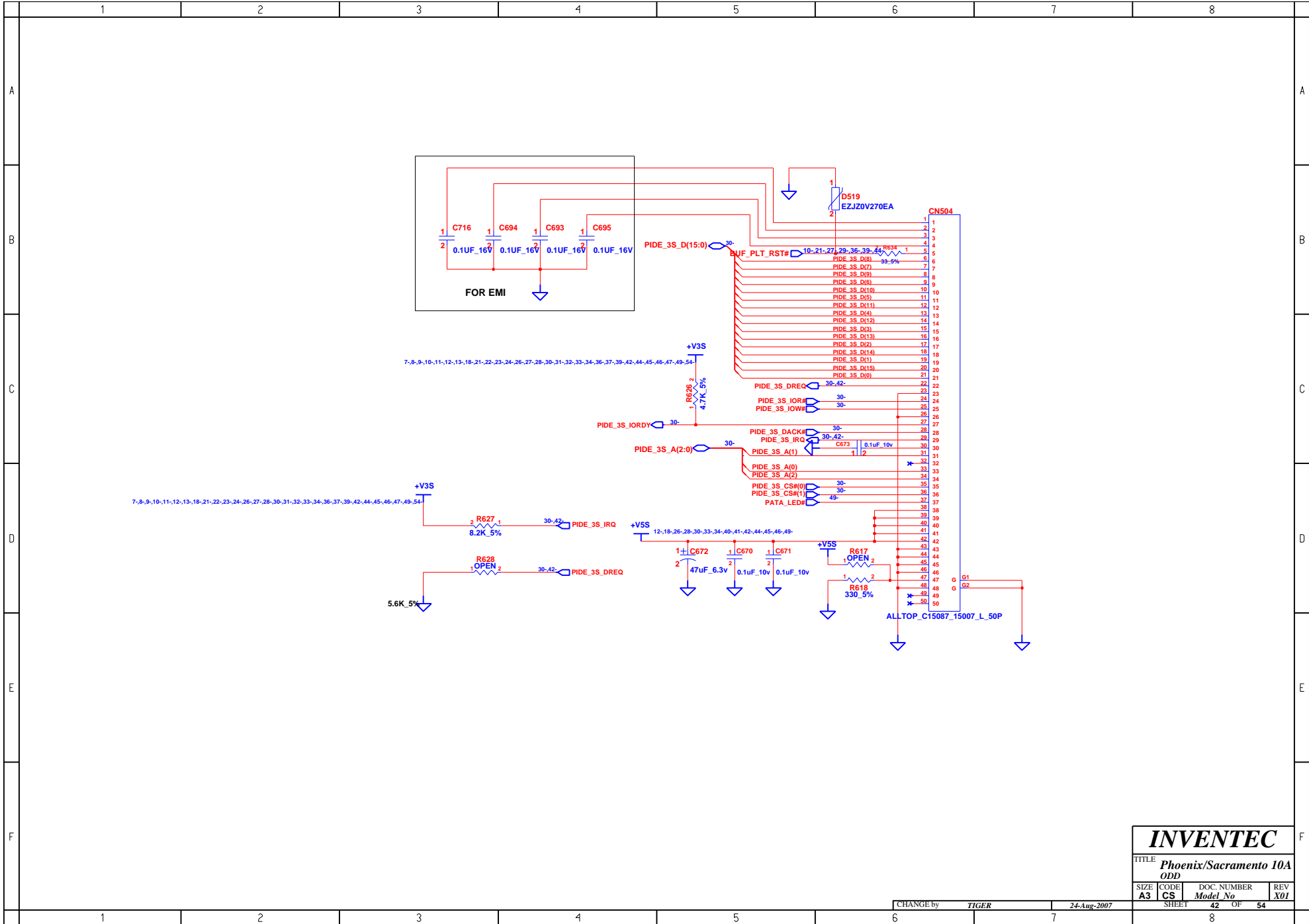
TITLE			
Phoenix/Sacramento 10A			
SATA HDD CONN			
SIZE	CODE	DOC. NUMBER	REV
A3	CS	Model No	X01

CHANGE by TIGER 19-Dec-2007

SHEET 40 OF 54



INVENTEC			
TITLE Phoenix/Sacramento 10A			
Filica & Finger Printer & Camera			
SIZE	CODE	DOC. NUMBER	REV
A3	CS	Model No	X01
CHANGE by		TIGER	19-Dec-2007
SHEET		41	OF 54



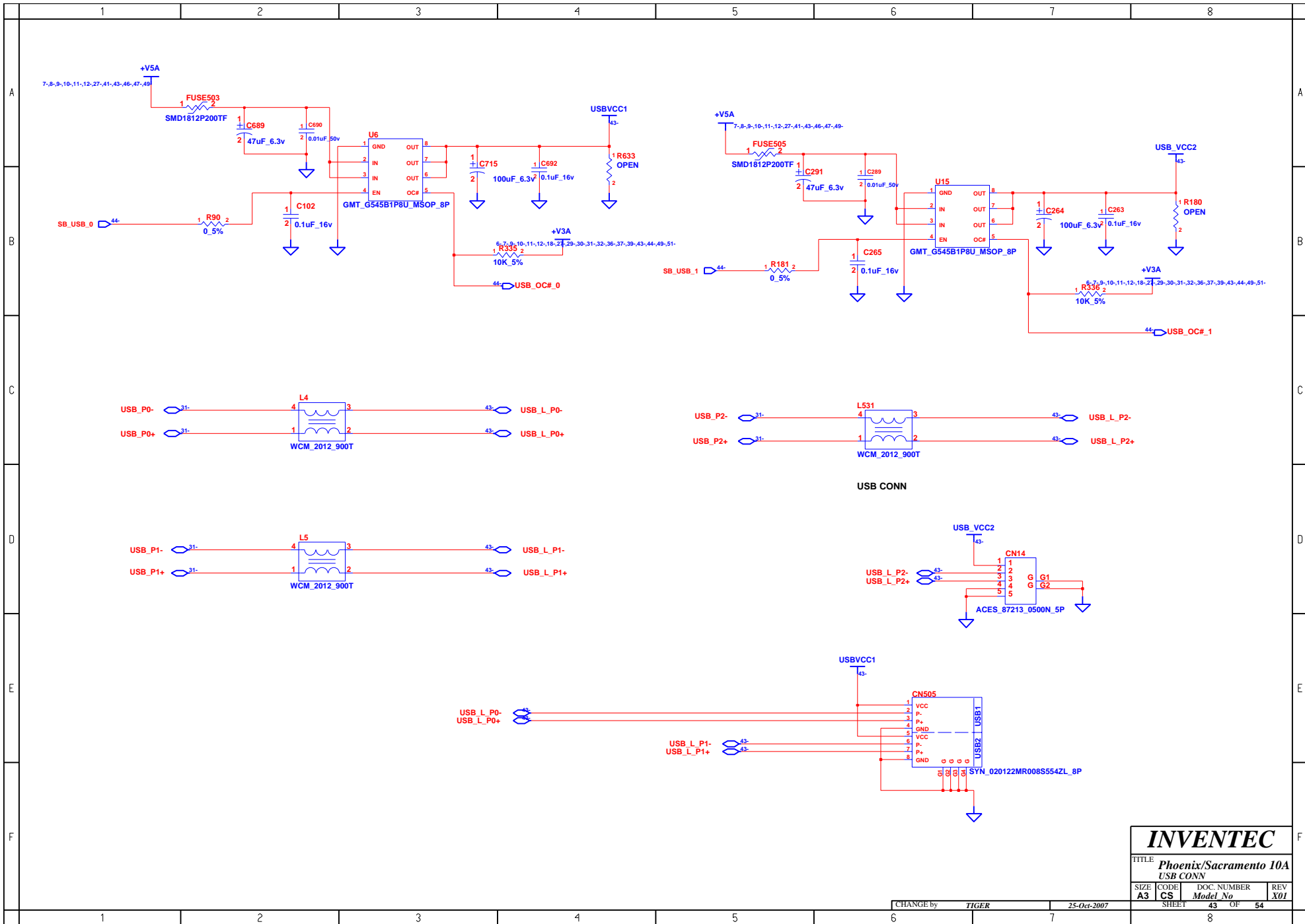
INVENTEC

TITLE **Phoenix/Sacramento 10A ODD**

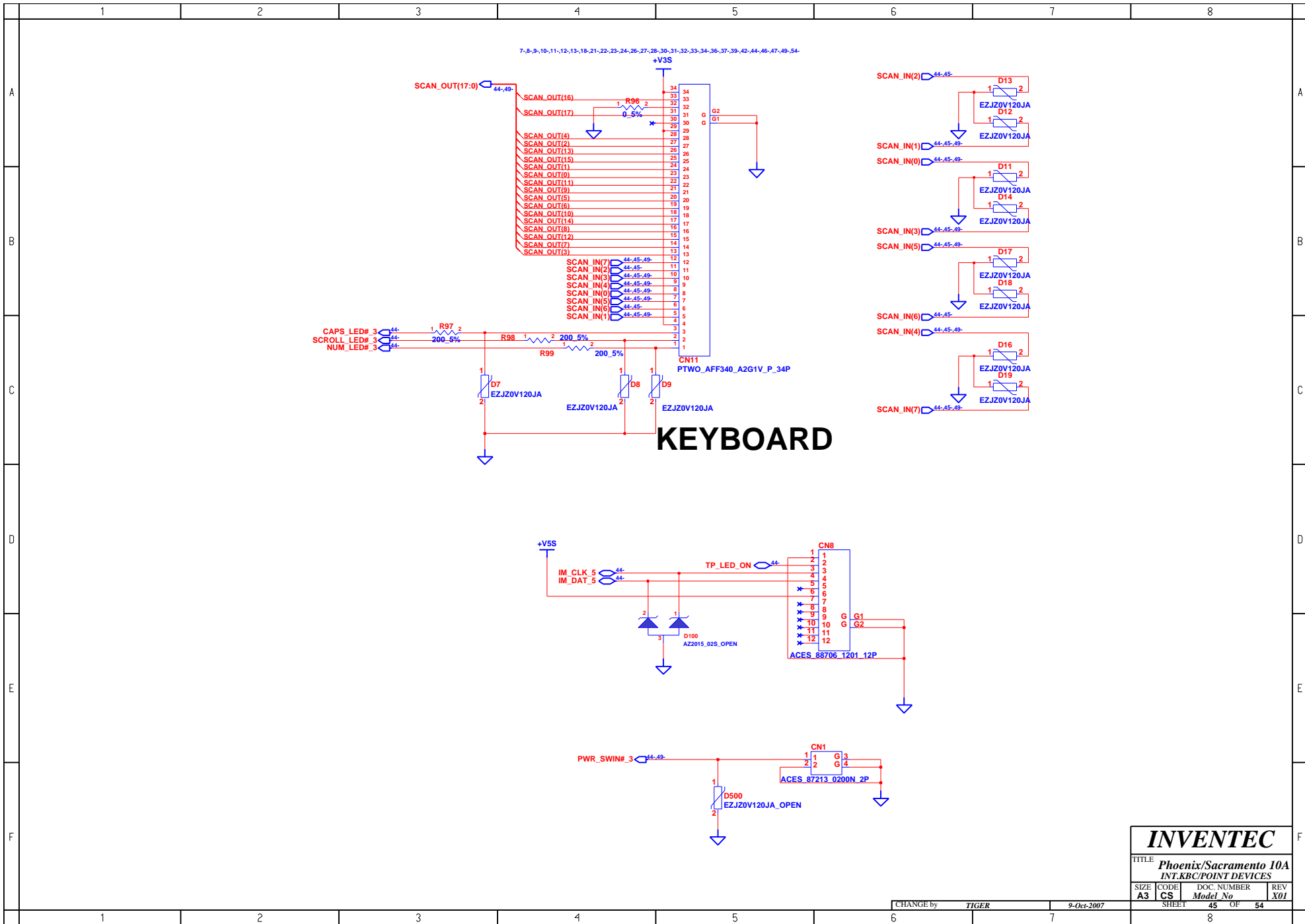
SIZE A3	CODE CS	DOC. NUMBER Model No	REV X01
----------------	----------------	-----------------------------	----------------

CHANGE by **TIGER** 24-Aug-2007

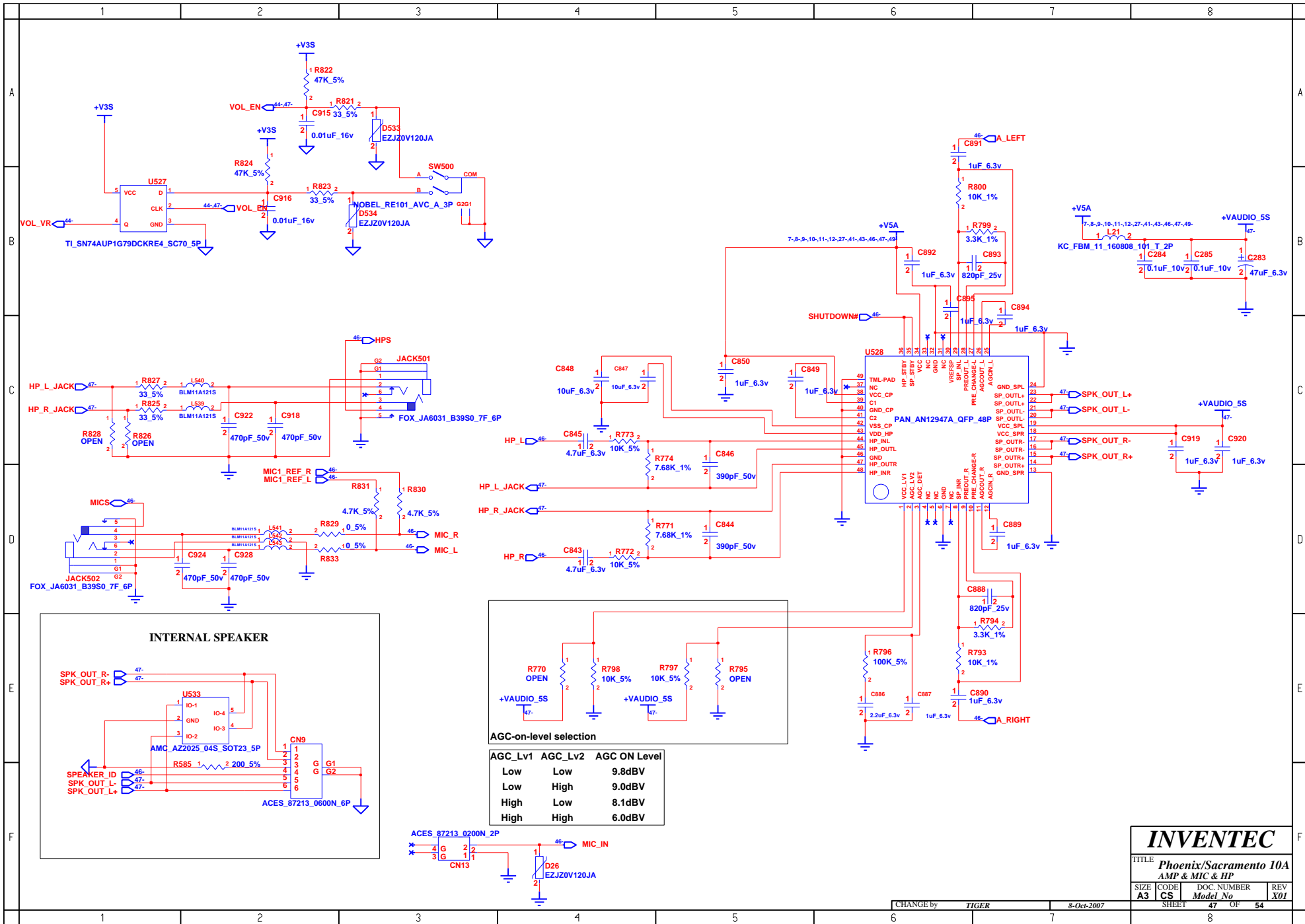
SHEET **42** OF **54**



INVENTEC			
TITLE Phoenix/Sacramento 10A USB CONN			
SIZE A3	CODE CS	DOC. NUMBER <i>Model No</i>	REV X01
CHANGE by TIGER		25-Oct-2007	
SHEET 43 OF 54			



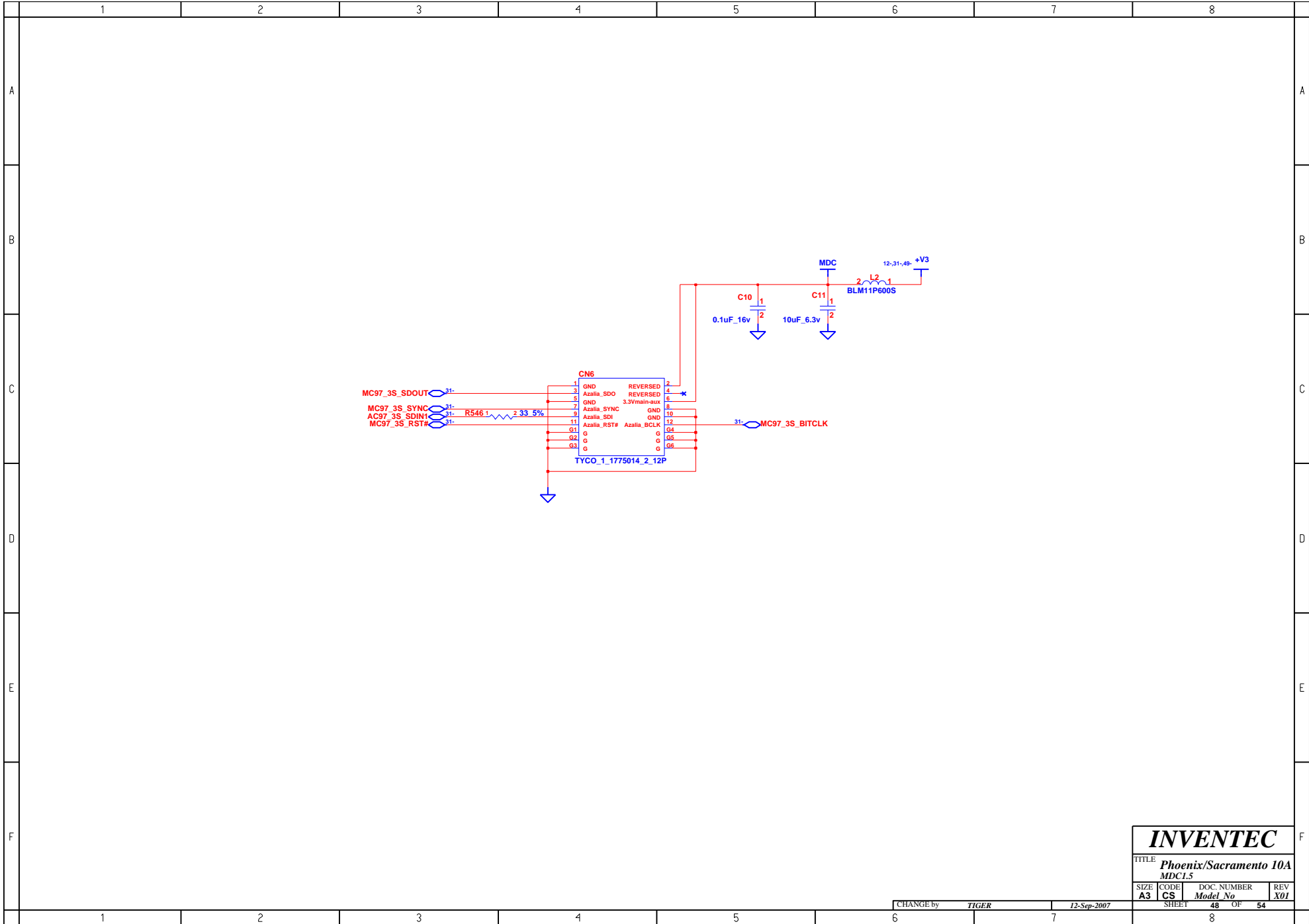
INVENTEC			
TITLE: Phoenix/Sacramento 10A INT.KBC/POINT DEVICES			
SIZE A3	CODE CS	DOC. NUMBER <i>Model No</i>	REV X01
CHANGE by: TIGER		9-Oct-2007	
SHEET 45		OF 54	



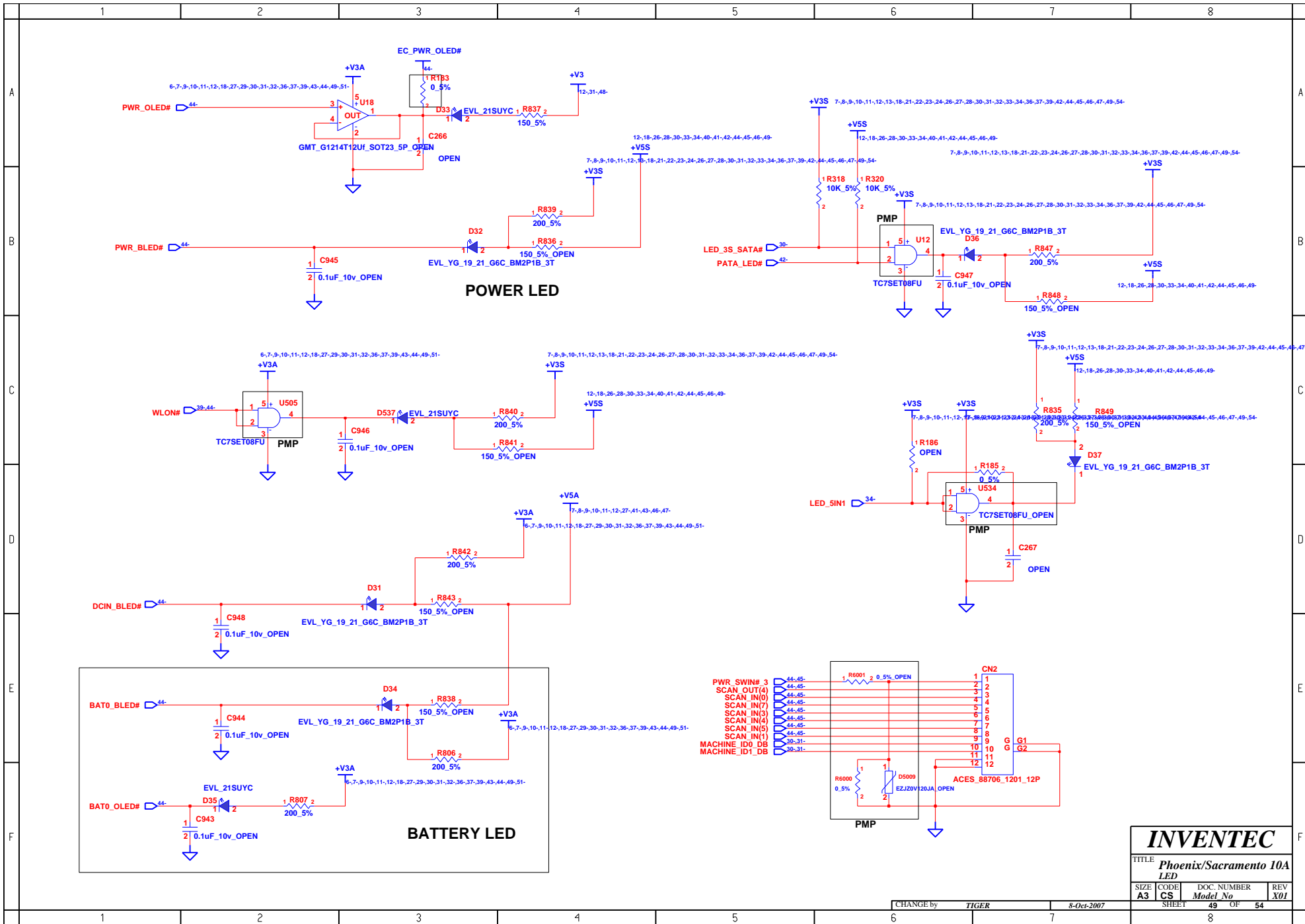
AGC-on-level selection

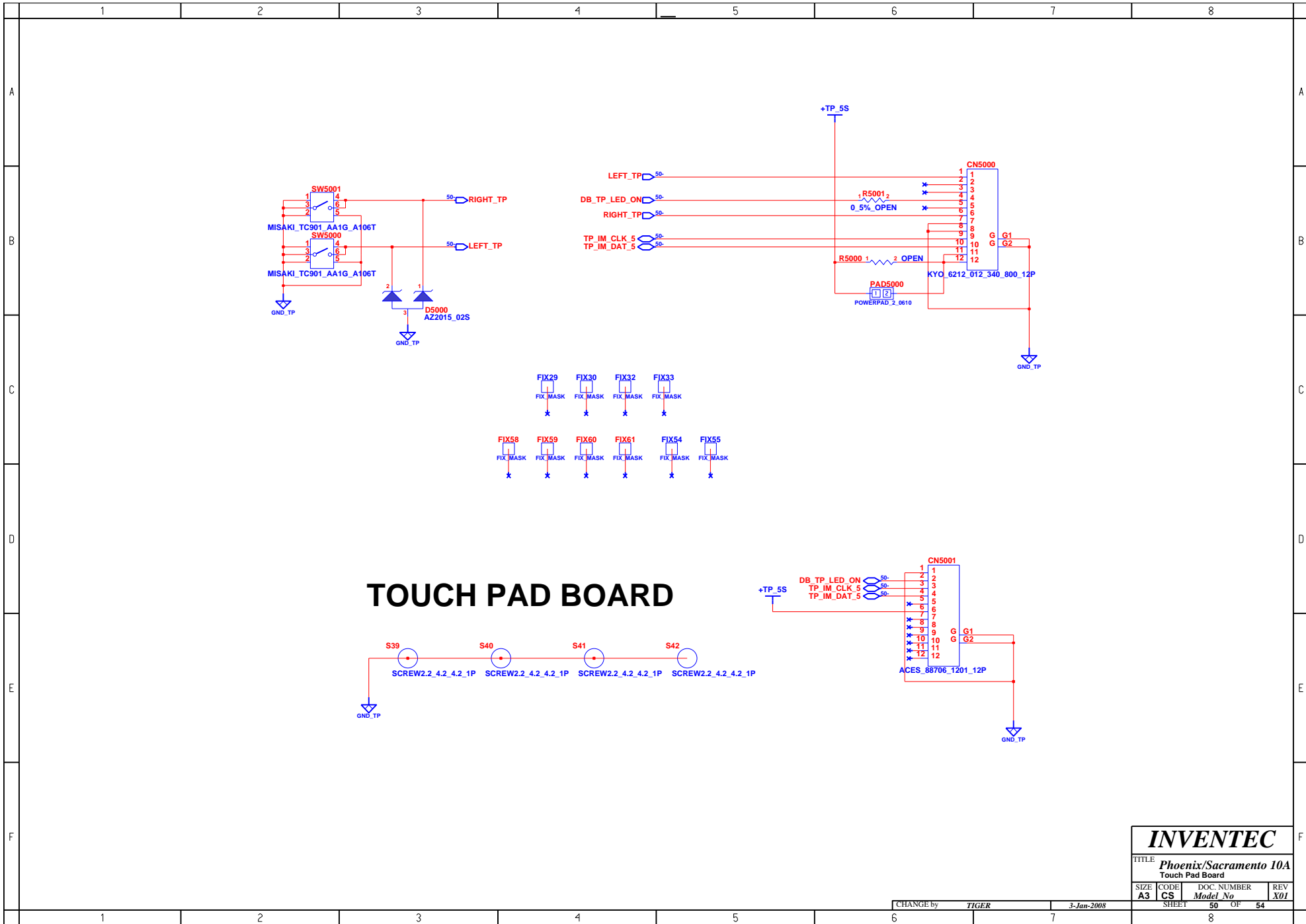
AGC_Lv1	AGC_Lv2	AGC ON Level
Low	Low	9.8dBV
Low	High	9.0dBV
High	Low	8.1dBV
High	High	6.0dBV

INVENTEC			
TITLE: Phoenix/Sacramento 10A AMP & MIC & HP			
SIZE: A3	CODE: CS	DOC NUMBER: Model No	REV: X01
CHANGE by: TIGER		8-Oct-2007	
SHEET: 47		OF: 54	

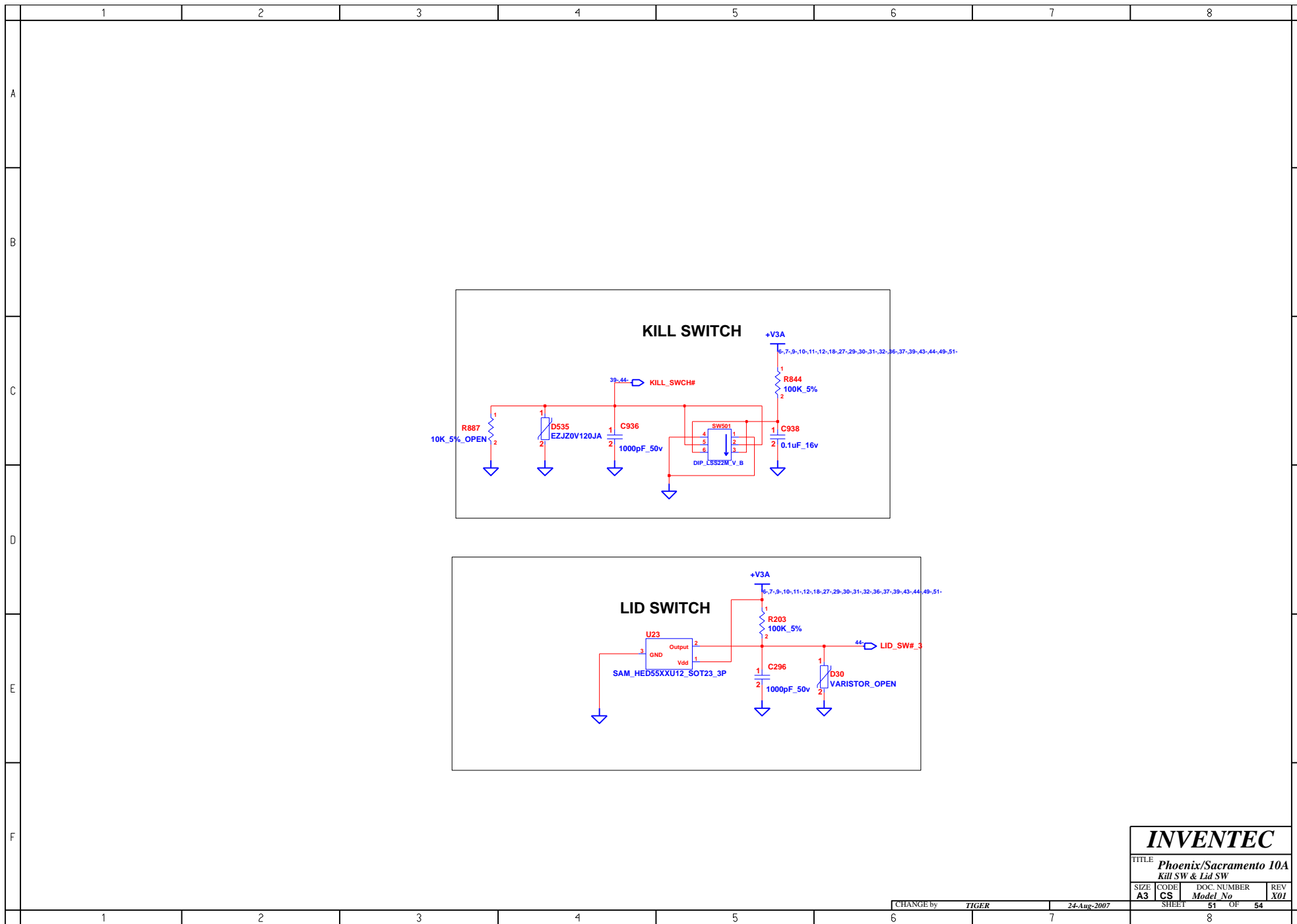


INVENTEC			
TITLE Phoenix/Sacramento 10A			
MDC1.5			
SIZE	CODE	DOC. NUMBER	REV
A3	CS	Model No	X01
CHANGE by TIGER		12-Sep-2007	SHEET 48 OF 54

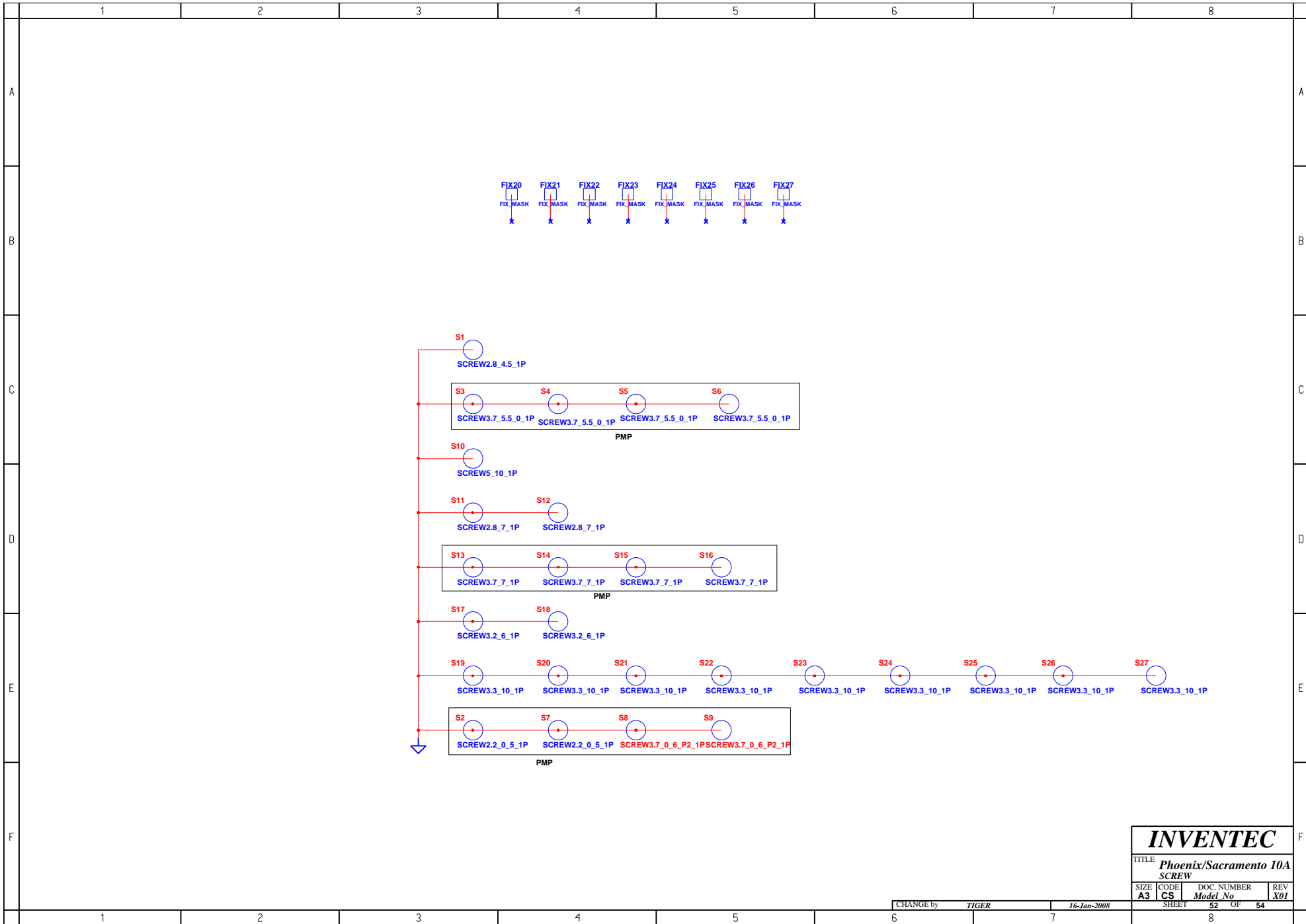




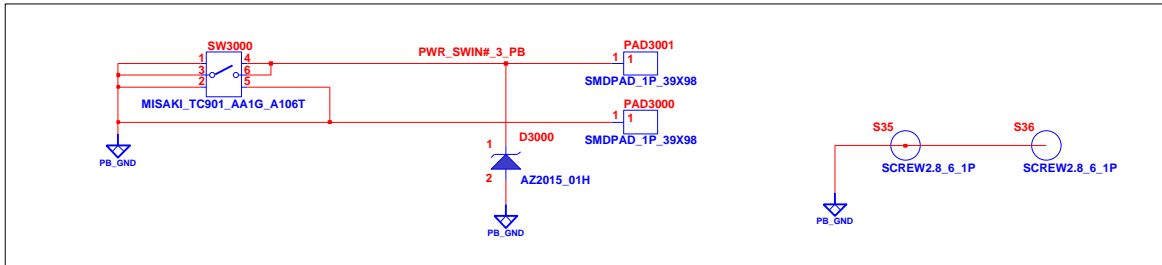
INVENTEC			
TITLE Phoenix/Sacramento 10A			
Touch Pad Board			
SIZE	CODE	DOC. NUMBER	REV
A3	CS	Model No	X01
CHANGE by		TIGER	3-Jan-2008
SHEET		50	OF 54



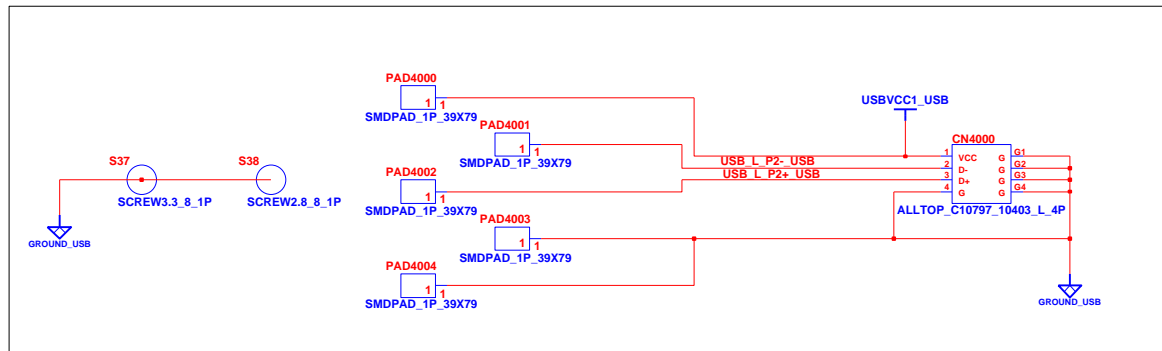
INVENTEC			
TITLE: Phoenix/Sacramento 10A			
Kill SW & Lid SW			
SIZE	CODE	DOC. NUMBER	REV
A3	CS	Model No	X01
CHANGE by		TIGER	24-Aug-2007
SHEET		51	OF 54



INVENTEC			
TITLE Phoenix/Sacramento 10A			
SCREW			
SIZE	CODE	DOC. NUMBER	REV
A3	CS	Model No	X01
CHANGE by		TIGER	16-Jan-2008
SHEET		52	OF 54

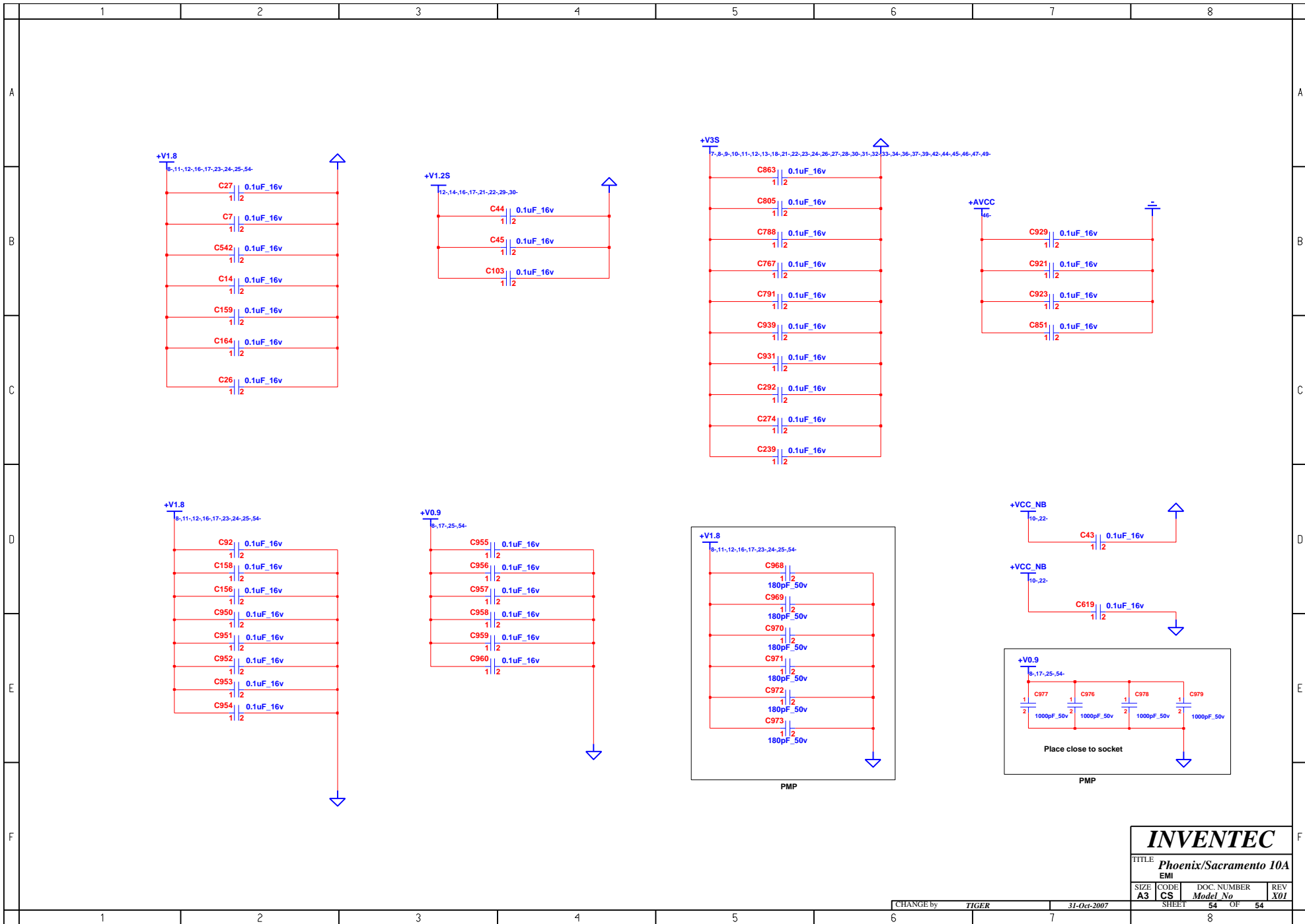


PW BOARD



USB BOARD

INVENTEC			
TITLE Phoenix/Sacramento 10A			
EMI			
SIZE	CODE	DOC. NUMBER	REV
A3	CS	Model No	X01
CHANGE by TIGER		19-Dec-2007	SHEET 53 OF 54



INVENTEC				
TITLE Phoenix/Sacramento 10A				
EMI				
SIZE	CODE	DOC. NUMBER	REV	
A3	CS	Model No	54	X01
CHANGE by TIGER			31-Oct-2007	
SHEET			54	OF 54